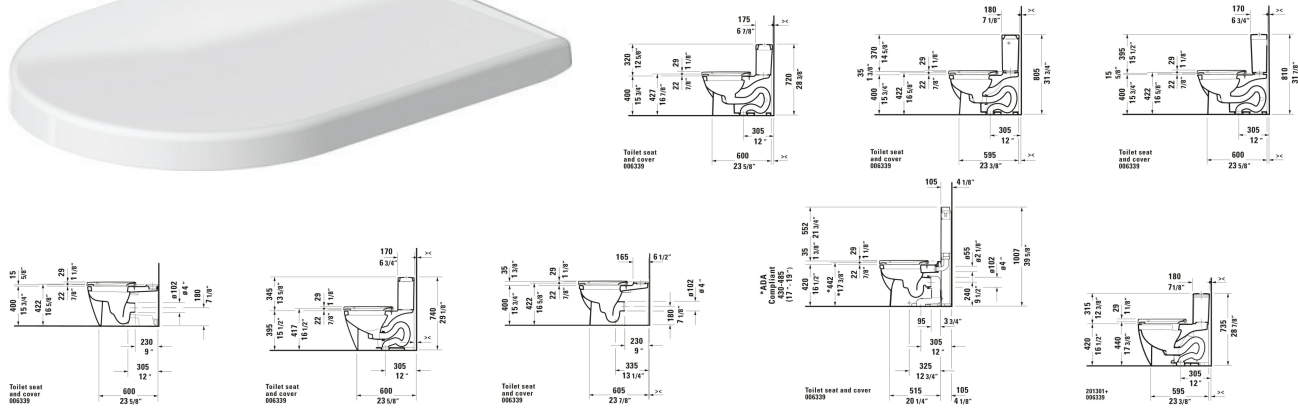


Universal Toilet Seat # 0063390000

< 14 5/8 " >



Toilet Seat	Dimension	Weight	Order number
Slow close: Yes, Removable Seat, Hinge material: Stainless Steel, elongated			
Colors			
00 White			
Variant			
White High Gloss, Hinge color: White, Wrap over	14 5/8 "x2 "	4.850 lb	0063390000
Suitable products			
Toilet Bowl 27 1/2 ", elongated, Flush water quantity: 1.28/1.28 gal, Siphonic, Flushing rim: Closed, Outlet vertical, cUPC listed: Yes, 14 3/4 x 27 1/2 "	14 3/4 x 27 1/2 "		212501
One Piece Toilet 27 3/4 ", elongated, Single Flush, Flush water quantity: 1.28 gal, Siphonic, Flushing rim: Closed, Outlet: vertical, Trip lever placement: LeftRight, Rough-in: 12 ", cUPC listed: Yes, 15 1/2 x 27 3/4 "	15 1/2 x 27 3/4 "		212001
Wall Mounted Toilet Flush water quantity: 1.6/0.8 gal, Washdown model, Flushing rim: Closed, Flush system: washdown model, Outlet horizontal, Concealed fixation, ADA: Yes, cUPC listed: Yes, 14 3/8 x 24 3/8 "	14 3/8 x 24 3/8 "		222609
Wall Mounted Toilet Flush water quantity: 1.2/0.8 gal, Washdown model, Flushing rim: Closed, Flush system: washdown model, Outlet horizontal, Concealed fixation, ADA: Yes, cUPC listed: Yes, 14 3/8 x 24 5/8 "	14 3/8 x 24 5/8 "		254409
One Piece Toilet 28 3/8 ", elongated, Back to wall, Single Flush, Flush water quantity: 1.28 gal, Siphonic, Flushing rim: Closed, Outlet: vertical, Trip lever placement: Top, Rough-in: 12 ", cUPC listed: Yes, 16 x 28 3/8 "	16 x 28 3/8 "		212301

Universal Toilet Seat # 0063390000

|< 14 5/8 " >|

Toilet Bowl 27 3/4 ", elongated, Flush water quantity: 1.28/1.28 gal, Siphonic, Flushing rim: Closed, Outlet vertical, cUPC listed: Yes, 14 5/8 x 27 3/4 "	14 5/8 x 27 3/4 "	212601
Wall Mounted Toilet Flush water quantity: 1.2/0.8 gal, Washdown model, Flushing rim: Closed, Flush system: washdown model, Outlet horizontal, Concealed fixation, ADA: Yes, cUPC listed: Yes, 14 3/4 x 24 3/8 "	14 3/4 x 24 3/8 "	253309
One Piece Toilet 28 ", elongated, Single Flush, Flush water quantity: 1.28 gal, Siphonic, Flushing rim: Closed, Outlet: vertical, Trip lever placement: Top, Rough-in: 12 ", cUPC listed: Yes, 14 3/4 x 28 "	14 3/4 x 28 "	213301
One Piece Toilet Set items: One Piece Toilet, Toilet Seat: Article No.: 2120010001, 0063390000, One Piece Toilet: White, elongated, Siphonic, Flushing rim: Closed, Outlet vertical, Single Flush, Trip lever placement: Right, Flush water quantity: 1.28 gal, 15 1/2 x 27 3/4 "	15 1/2 x 27 3/4 "	D19098
One Piece Toilet Set items: One Piece Toilet, Toilet Seat: Article No.: 2123010005, 0063390000, One Piece Toilet: White, elongated, Siphonic, Flushing rim: Closed, Outlet vertical, Single Flush, Trip lever placement: Top, Flush water quantity: 1.28 gal, 16 x 28 3/8 "	16 x 28 3/8 "	D21017
One Piece Toilet Set items: One Piece Toilet, Toilet Seat: Article No.: 2133010005, 0063390000, One Piece Toilet: White, elongated, Siphonic, Flushing rim: Closed, Outlet vertical, Single Flush, Trip lever placement: Top, Flush water quantity: 1.28 gal, 14 3/4 x 28 "	14 3/4 x 28 "	D16547

All drawings contain the necessary measurements which are subject to standard tolerances. They are stated in inch & mm and are non-binding. Exact measurements, in particular for customized installation scenarios, can only be taken from the finished ceramic piece.