

**Rough, Quattro 3-Way Diverter, 3/4"**

Finish: Part no. : **15930181**

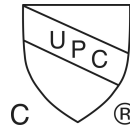


**Description**

**Features**

- 1 inlet / 3 outlets
- Connection type: 3/4" NPT
- Requires volume control / separate shut-off/ diverter valve
- Ceramic cartridge
- Max. flow rate: 17 GPM

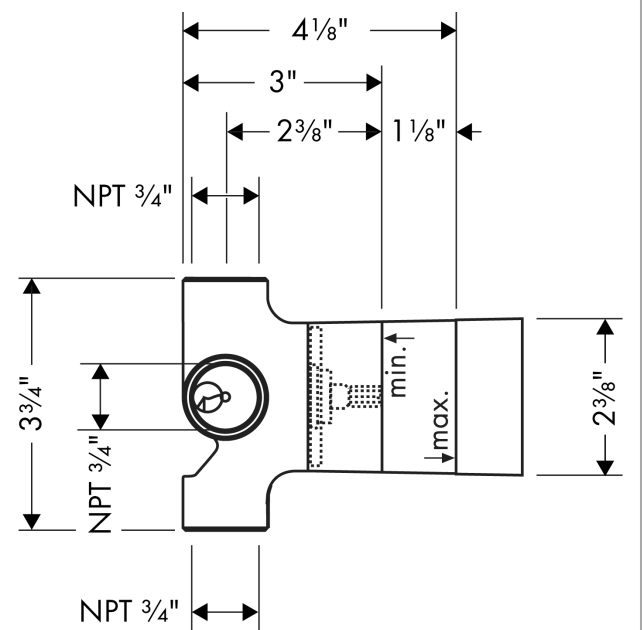
**Compliance / Sustainability**



**Product image**



**Scale drawing**

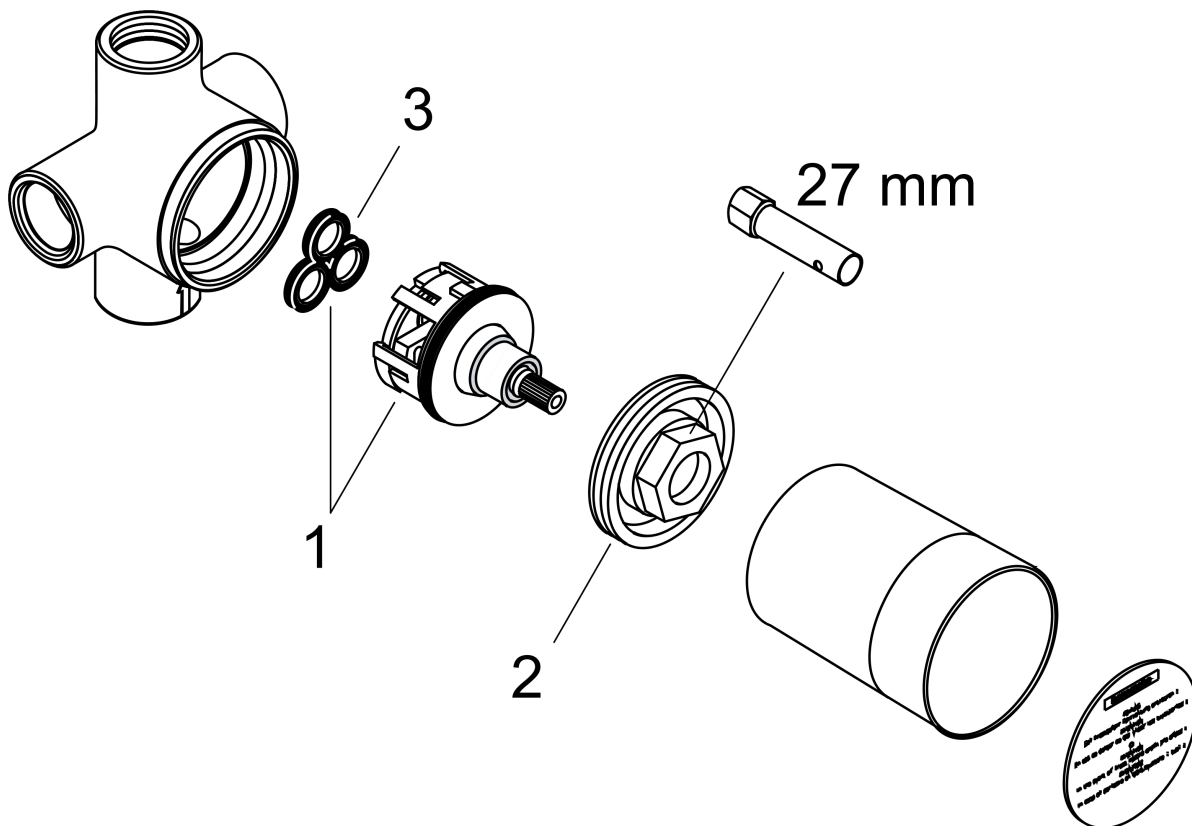


**Rough, Quattro 3-Way Diverter, 3/4"**  
 Finish: Part no. : **15930181**



Exploded drawing

Year of production: >07/18



**Rough, Quattro 3-Way Diverter, 3/4"**

Finish: Part no. : **15930181**



**Spare parts list**

Year of production: >07/18

Pos.	Description	Part no.	PC	PU
1	diverter unit	96604000	0	1
2	nut	97550000	0	1
3	sealing set	98798000	0	1
a	extension 25 mm	96370000	0	1