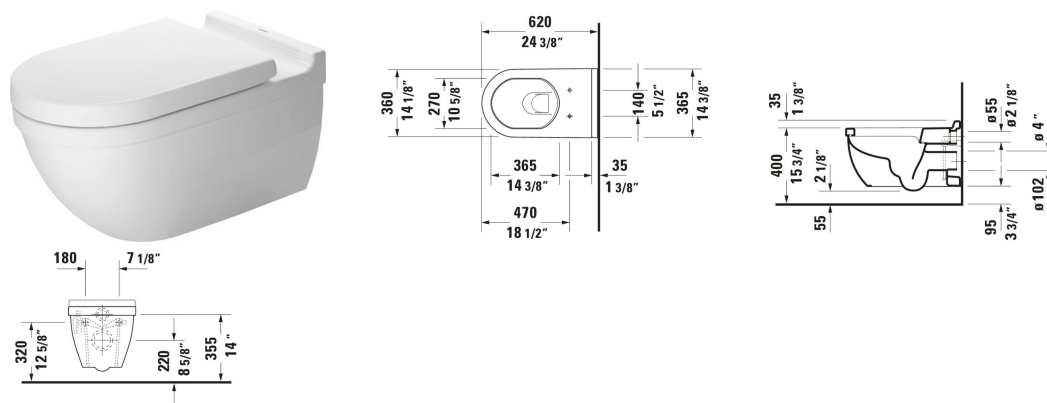


Starck 3 Wall Mounted Toilet # 222609..92 / 222609..92

| < 14 3/8 " > |



Wall Mounted Toilet	Dimension	Weight	Order number
Flush water quantity: 1.6/0.8 gal, Washdown model, Flushing rim: Closed, Flush system: washdown model, Outlet horizontal, Concealed fixation, ADA: Yes, cUPC listed: Yes			
Colors			
00 White 20 HygieneGlaze (an antibacterial ceramic glaze that provides almost indefinite effectiveness)			
Variant			
White High Gloss, WaterSense: Yes	14 3/8 "x15 "	63.934 lb	222609..92
White High Gloss, HygieneGlaze, WaterSense: Yes	14 3/8 "x15 "	63.934 lb	222609..92
Spare parts			
Noise reduction gasket	16 1/2 x 15 3/8 "	0.441 lb	005090
Suitable products			
Toilet Seat Open front, elongated, 14 3/8 x 19 1/8 "	14 3/8 x 19 1/8 "		006431
Toilet Seat Slow close, Open front, elongated, 14 3/8 x 19 1/8 "	14 3/8 x 19 1/8 "		006439
Toilet Seat Slow close: No, Hinge material: Stainless Steel, elongated, 14 5/8 x 19 5/8 "	14 5/8 x 19 5/8 "		006332
Toilet Seat Slow close: Yes, Removable Seat, Hinge material: Stainless Steel, elongated, 14 5/8 x 19 1/4 "	14 5/8 x 19 1/4 "		006339
Actuator Plate A1 Plastic, Dual Flush, Trip lever type: Mechanical, Flush operation technology: Manual, Installation Type: surface mounted, Includes mounting frame, including mounting kit, Includes push rod, 8 1/2 x 3/8 "	8 1/2 x 3/8 "		WD5008

Starck 3 Wall Mounted Toilet # 222609..92 / 222609..92

|< 14 3/8 " >|

In-Wall Tank & Carrier Standard Includes HDPE toilet wall-mounted outlet bend DN 90/90, Powder-coated, Installation Type: In lightweight stand construction, Installation Type: Drywall, Max. projection toilet: 24 5/8 ", Adjustable height: 9 1/2 ", Trip lever type: Mechanical, Trip lever placement: Front, Adjustable flush volumes, Flush type: Dual Flush, Insulated tank, Self-supporting, Suitable for panelling with plasterboards, 23 1/4 x 3 1/2 "

WD1022

All drawings contain the necessary measurements which are subject to standard tolerances. They are stated in inch & mm and are non-binding. Exact measurements, in particular for customized installation scenarios, can only be taken from the finished ceramic piece.