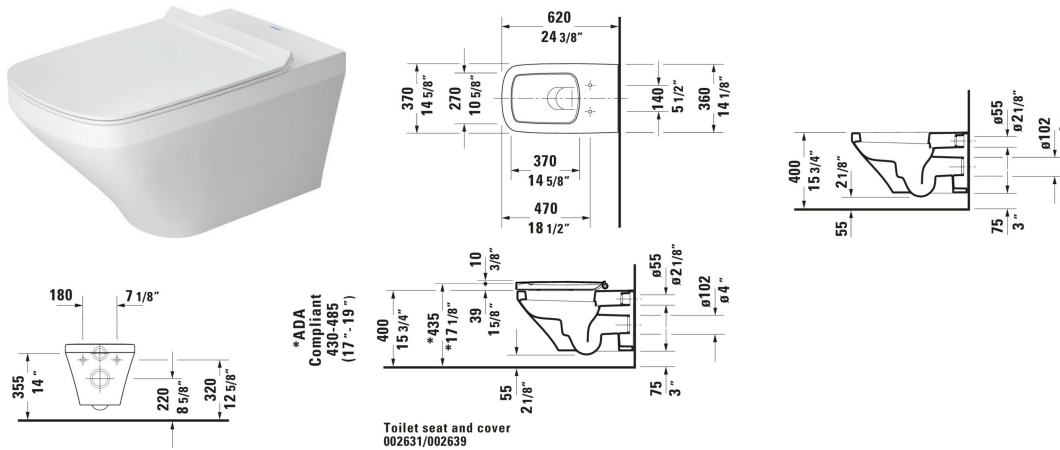


## DuraStyle Wall Mounted Toilet # 2537090092

| < 14 5/8 " > |



Wall Mounted Toilet	Dimension	Weight	Order number
Flush water quantity: 1.2/0.8 gal, Washdown model, Flushing rim: Closed, Flush system: washdown model, Outlet horizontal, Concealed fixation, ADA: Yes, cUPC listed: Yes			
<b>Colors</b>			
00 White			
<b>Variant</b>			
White High Gloss, Flush water quantity: 1.6/0.8 gal, WaterSense: Yes	14 5/8 "x13 5/8 "	67.902 lb	2537090092
<b>Spare parts</b>			
Noise reduction gasket	16 1/2 x 15 3/8 "	0.441 lb	005090
<b>Suitable products</b>			
Toilet Seat Slow close: No, Removable Seat, Hinge material: Stainless Steel, elongated, 14 3/4 x 19 1/4 "	14 3/4 x 19 1/4 "		006051
Toilet Seat Slow close: Yes, Removable Seat, Hinge material: Stainless Steel, elongated, 14 1/8 x 19 1/4 "	14 1/8 x 19 1/4 "		006059
Actuator Plate A1 Plastic, Dual Flush, Trip lever type: Mechanical, Flush operation technology: Manual, Installation Type: surface mounted, Includes mounting frame, including mounting kit, Includes push rod, 8 1/2 x 3/8 "	8 1/2 x 3/8 "		WD5008
In-Wall Tank & Carrier Standard Includes HDPE toilet wall-mounted outlet bend DN 90/90, Powder-coated, Installation Type: In lightweight stand construction, Installation Type: Drywall, Max. projection toilet: 24 5/8 ", Adjustable height: 9 1/2 ", Trip lever type: Mechanical, Trip lever placement: Front, Adjustable flush volumes, Flush type: Dual Flush, Insulated tank, Self-supporting, Suitable for panelling with plasterboards, 23 1/4 x 3 1/2 "	23 1/4 x 3 1/2 "		WD1022

DuraStyle Wall Mounted Toilet # 2537090092

|< 14 5/8 " >|

---

*All drawings contain the necessary measurements which are subject to standard tolerances. They are stated in inch & mm and are non-binding. Exact measurements, in particular for customized installation scenarios, can only be taken from the finished ceramic piece.*