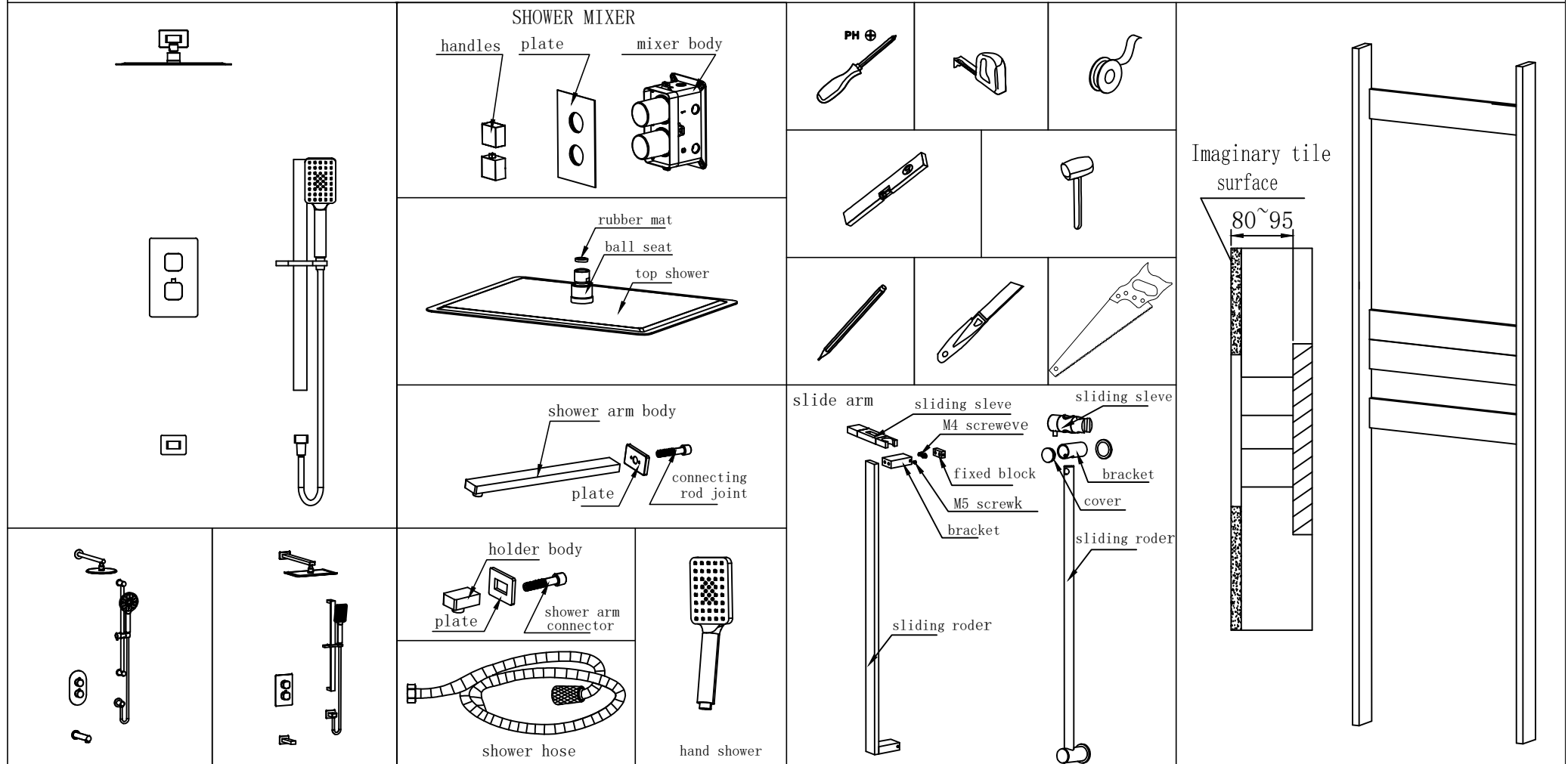


SHOWER SET INSTRUCTION MANUAL

①



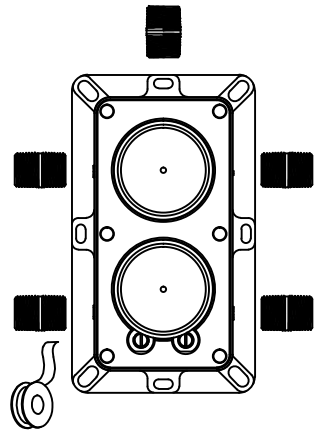
We recommend that this product is fitted by a fully qualified installer. The installation must comply with all current local water regulations.

1) Before installation, first rotate the sliding sleeve handle 90 degrees, insert the sliding sleeve into the sliding rod, tighten the handle of the slide sleeve. for a square lifting rod, fix the bracket on the slide bar with two M4 pan-head screws. For round lifting rods, Put the bracket into the slide bar and screw into the cover fixing bracket

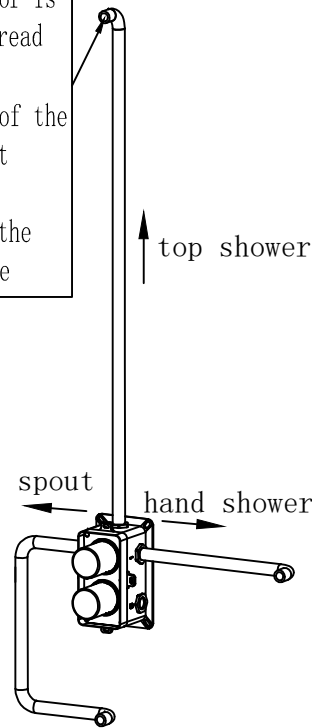
2) The wooden frame is built according to the installation height required by the customer, and the depth of the wooden frame is required to be 80~95mm from the imaginary tile surface after installation.

SHOWER SET INSTRUCTION MANUAL

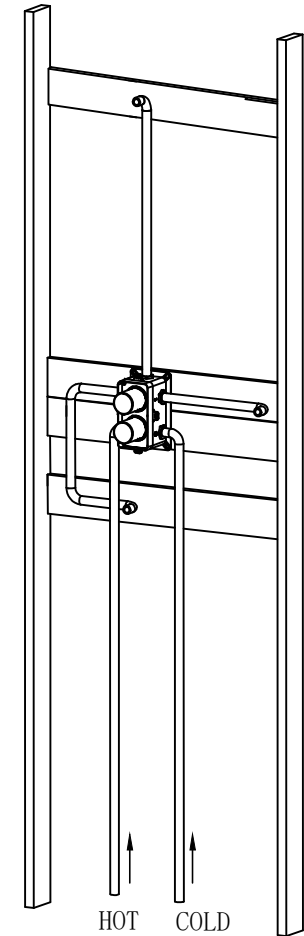
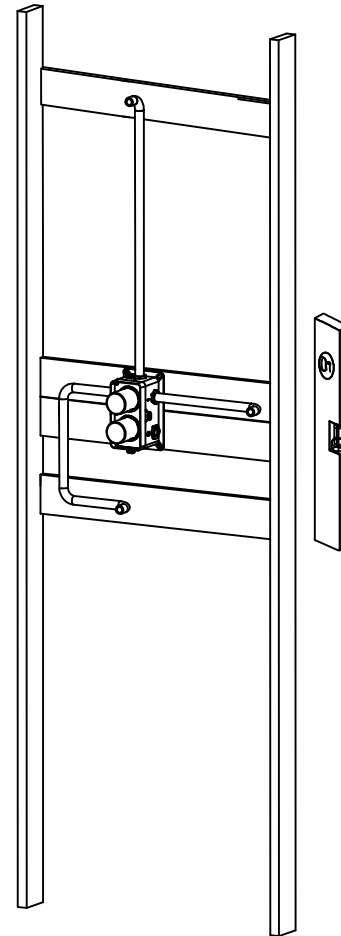
②



The connector is internal thread NPT1/2, The height of the joint cannot exceed the surface of the wooden frame



Attention! The feeding pipes have to be rinsed carefully before the installation of the device so that there won't remain shavings, or other impurities inside the pipes.

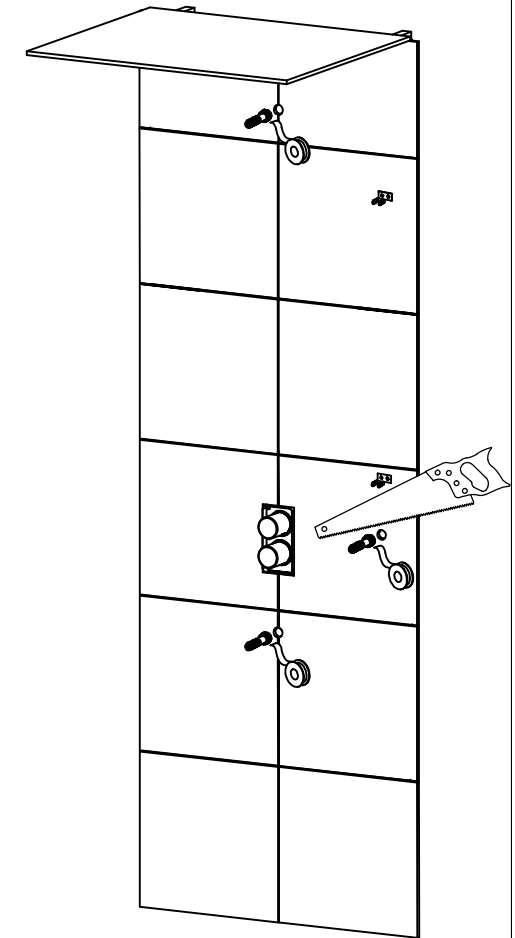
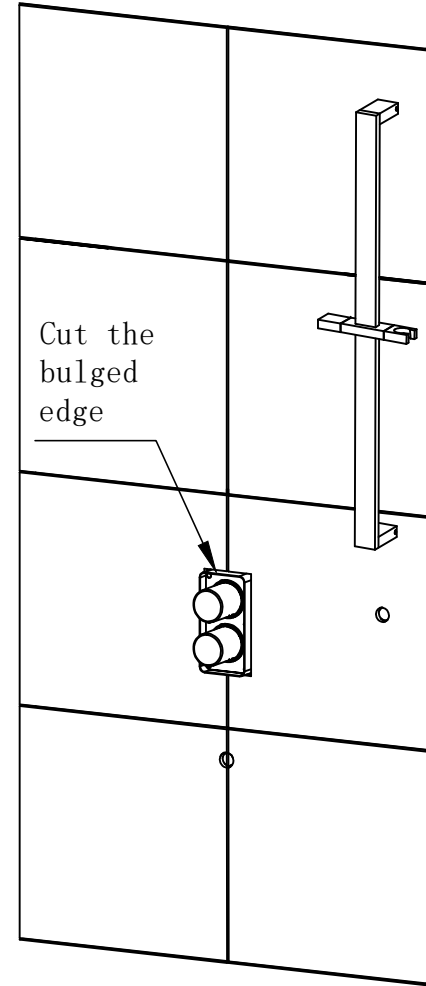
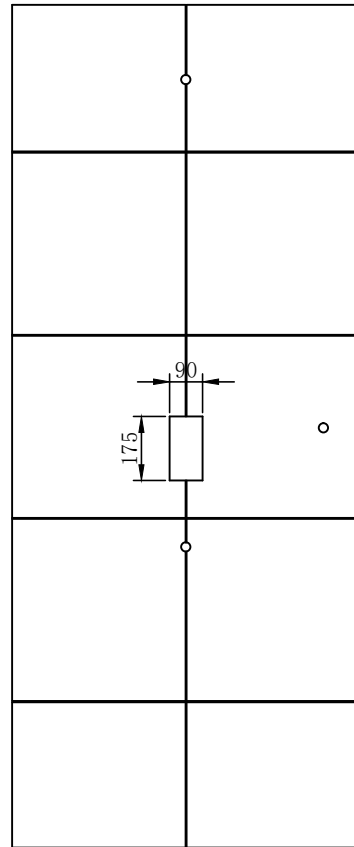
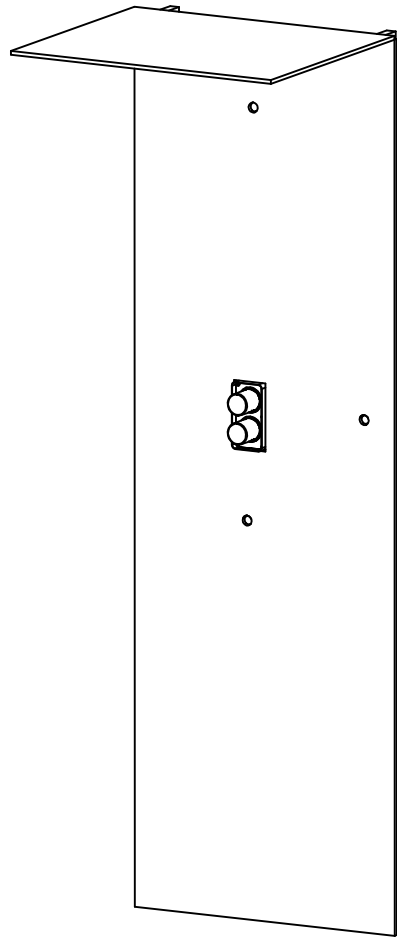


3) If the connector of the customer's pipeline is a male thread, it can be directly connected to the faucet. If the connector of the customer's pipeline is a female thread, you need to wrap the raw material tape on both ends of the 5 faucet connectors and screw them into the faucet clockwise

4) It is recommended to connect the water outlet pipe according to the size shown in the figure. (Note: In order to protect the plastic embedded box, when the water pipe is connected to the joint, welding is not allowed, and only raw tape can be used to screw in)

5) Fix the faucet and the nozzle embedded box on the wooden frame with expansion screws as shown in the figure, to ensure that the faucet is vertical to the ground, use a level to measure, and require the surface of each component to be level.

6) Flush the impurities and sludge in the pipeline to avoid blockage and affect the water outlet function. Connect the two water inlet pipes as shown in the figure, plug each water outlet pipe with NPT1/2 plugs, open the water source, and ensure that the pipes are leak-free (the test water pressure is not allowed to exceed 860KPa)



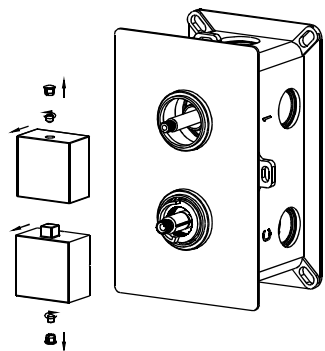
7) Remove the NPT1/2 plug, as shown in the picture, spread a layer of cement board, the thickness of the board should not exceed 10 mm, and cover the ceiling. (The hole size is slightly larger than the outer diameter of the NPT 1/2 pipe joint)

8) The tiles are opened according to the following dimensions, the opening size is slightly larger than the product size, and the opening position is based on the pipeline size
Faucet opening size: 175x90;
Socket, outlet, top spray connecting rod opening size: slightly larger than the outer diameter of the pipe joint .

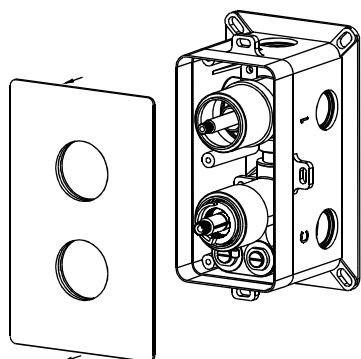
9) Place the tiles as shown in the picture. The thickness of the tiles should not exceed 12 mm. Cut off the part of the concealed box that is higher than the tiles, and ensure that there are no uneven burrs above the tiles. Place the lifting rod in a suitable position and use a pencil to draw along the periphery of the lifting rod support String

10) Wrap the raw material tape on the thread of the NPT1/2 connector and screw it into the thread of the pipeline. The joint should not be more than 30 mm higher than the tile surface, otherwise the joint beyond 30 mm needs to be cut off. Place the fixed block of the lifting rod on the position marked by the pencil, and draw the position of the screw hole.

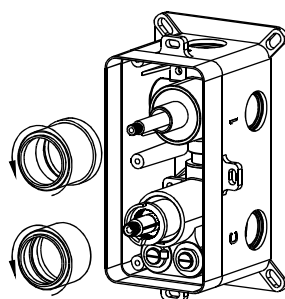
How to remove the cartridge



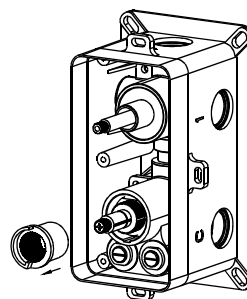
1) Remove the plug and use hex key loose the screw, remove the knob.



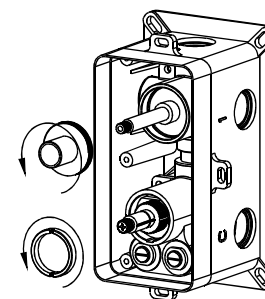
2) Remove the mixer plate.



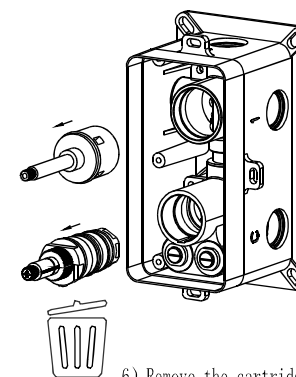
3) Remove the metal ring.



4) Take out the white gear.



5) Remove the metal ring.

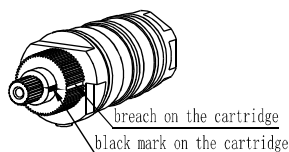


6) Remove the cartridge.

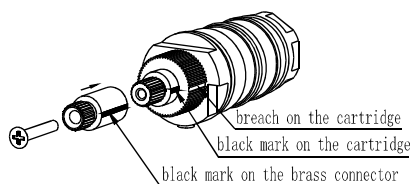
How to install the cartridge



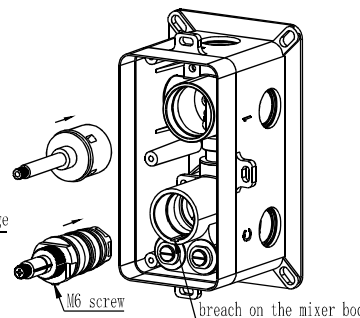
1) Insert the screw into cartridge the screw should be 1.5mm higher than the flat.



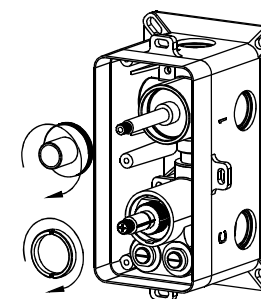
2) Locate the black mark on the cartridge, it should align with the breach on the cartridge.



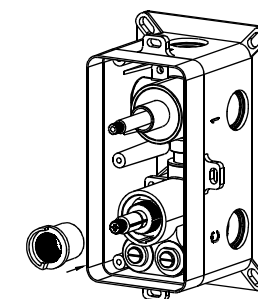
3) Place the brass connector, make sure it is align with breach on the cartridge. Important: the two black markings should align with the breach. Then tighten the screw.



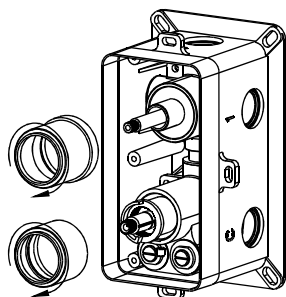
4) Install the cartridge, the screw on the cartridge should align with breach on the mixer body.



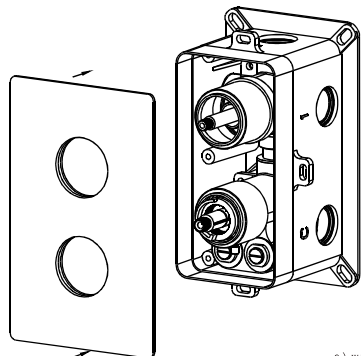
5) Screw the metal ring into the mixer.



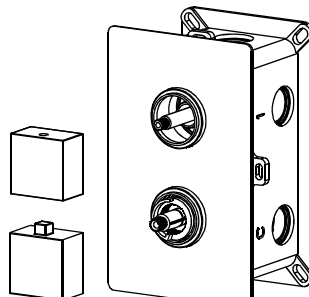
6) Insert the white gear.



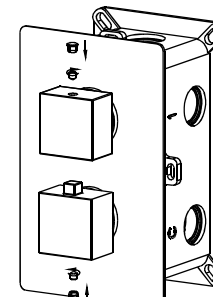
7) Screw the metal ring into the mixer.



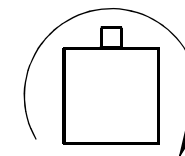
8) Install the mixer plate.



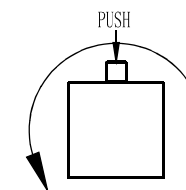
9) When installing the handle knobs, please note that the direction of the thermostatic handle knobs is the same as the direction of the opening of the toothed sleeve. At this time, the temperature of the shower mixer is 38 degrees set by the factory.



10) Use hex key, tighten the M5 screws, insert the plugs.



11) The standard temperature is 38°. To get more cold water, please turn the knob to the right side to adjust the temperature.



12) To get more hot water, please push the button and turn the knob to the left side to adjust the temperature.