

Bathroom Vanity Installation Diagram

Unpack the bathroom cabinet, countertop, sink, and mirror, check that all parts are included and undamaged, and then place them on a flat, clean, soft surface to begin installation.

Bathroom Vanity Installation

1. First, mark the positions for the cabinet wall brackets, then hang the cabinet on the wall.
2. Place the countertop on top of the cabinet, level and secure the cabinet, then anchor it to the wall.
3. Install the cabinet support brackets at the bottom of the cabinet, then secure them to the wall.
4. Remove the countertop to install the faucet. Once installed, replace the countertop. Finally, install the faucet and diverter, connect the hot and cold water lines, and install the water supply.

Mirror Installation

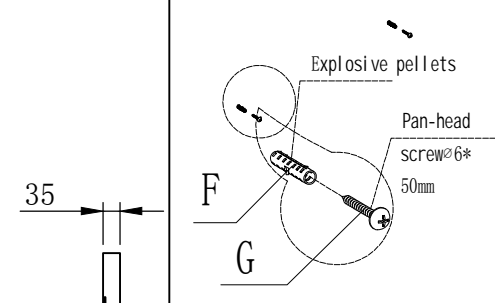
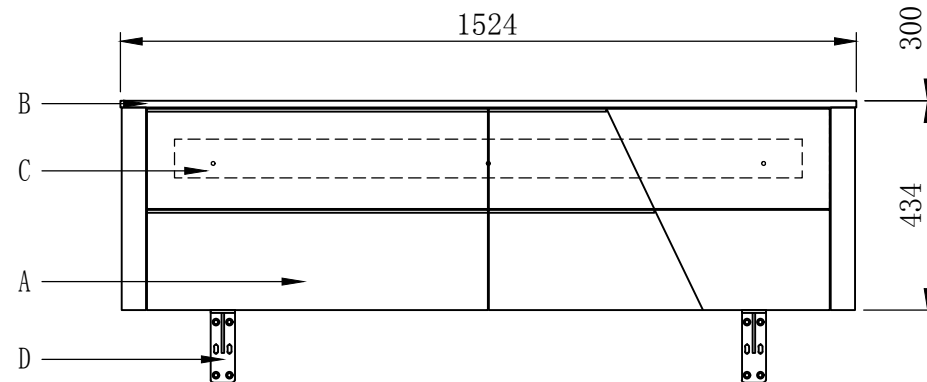
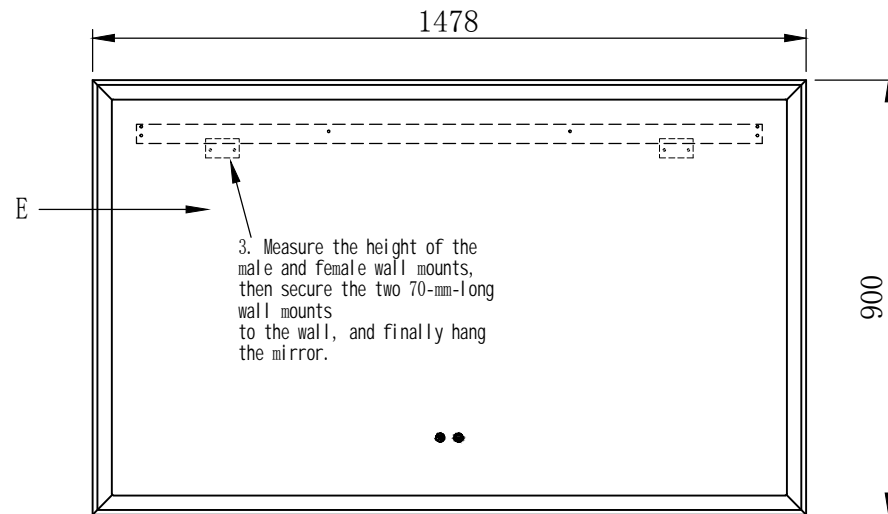
1. Check the wall for water and electrical lines. 2. Mark the horizontal line for installing the mirror, measure the positions of the male and female wall mounts on the back of the mirror, then drill holes and insert the adhesive plugs and screws. 3. Hang the mirror in the marked position. 4. Install the mirror lights, and the installation is complete.

Accessories

NO.	NAME	QTY
A	main cabinet	1
B	one-piece countertop basin	1
C	Wall-mounted wooden slats	1
D	Cabinet support frame	2
E	mirror	1
F	granules	18
G	screw	18
H		

NOTE

Please read the installation instructions carefully before beginning. You should have a basic understanding of the installation process and structure of this bathroom cabinet prior to installation to avoid any adverse consequences. Proceed with care and attention to detail during installation to prevent damage to the cabinet.



1. Install the wooden wall brackets according to the dimensions.

