



# Windward® | K-1113-L

60" x 42" alcove bath, left drain

## Features

- Oval basin creates a spacious bathing experience
- Integral lumbar support and armrests offer extra comfort while bathing
- Integral flange helps prevent water from seeping behind wall and simplifies alcove installation



## Available Colors/Finishes

*Color tiles intended for reference only.*

- 0 White



1-800-4KOHLER (1-800-456-4537)  
Kohler Co. reserves the right to make revisions without notice to product specifications.  
For the most current specification sheet, go to [www.kohler.com](http://www.kohler.com) USA or [www.kohler.ca](http://www.kohler.ca) Canada.  
4-7-2026 19:5 - US-CA

THE BOLD LOOK  
OF **KOHLER**

## Codes/Standards

CSA B45.5/IAPMO Z124  
 ASTM E162  
 ASTM E662

## Technical Information

*All product dimensions are nominal.*

Drain Location:	Left
Drain Hole Diameter:	2-1/4" (57 mm)
Minimum Flat for Door:	3-1/4" (83 mm)
Basin Area, Bottom:	41" x 20-1/2" (1041 mm x 521 mm)
Basin Area, Top:	53-1/2" x 32-1/8" (1359 mm x 816 mm)
Water Depth:	15" (381 mm)
Water Capacity:	57 gal (215.8 L)
Minimum Floor Load:	33 lbs/ft <sup>2</sup>
Weight:	80 lbs (36.3 kg)
Cutout:	Drop-in, 58-1/2" x 40-1/2" (1486 mm x 1029 mm)

## Material

- Acrylic

## Recommended Products/Accessories

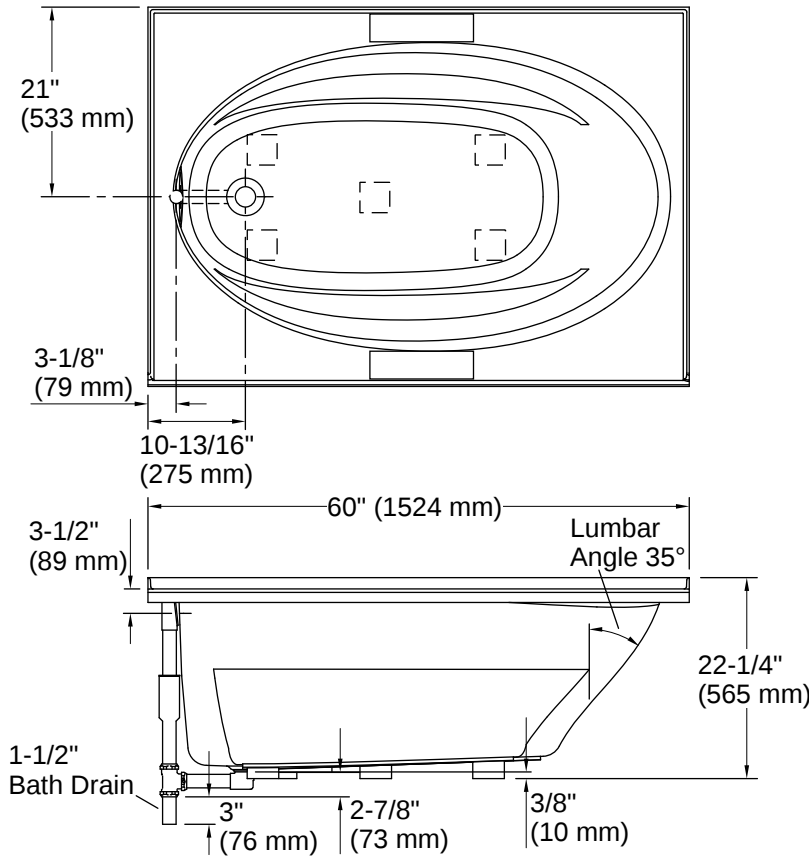
K-23726 Drain treatment  
 K-23732 Tub & shower cleaner

## Warranty

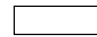
*See website for detailed warranty information.*

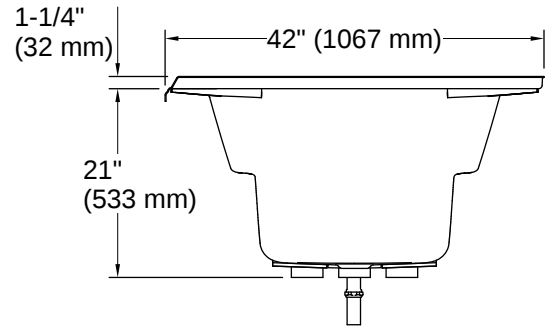
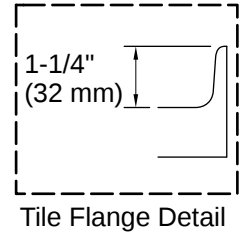
KOHLER® Plastic Baths and Shower Bases Lifetime Limited Warranty





No change in measurements if connected with drain illustrated. (K-11677)

 Recommended Faucet Location



## Installation

- Left drain
- Alcove

## Installation Notes

*Install this product according to the installation instructions.*

Measure your actual product for rough-in details.

The hot water supply should be 70% of the capacity of the bath or greater. Installations will vary.

If installing a rim-mount faucet, make sure there is no interference above or below the deck before drilling any holes.

