



# Archer® | K-1122-LA

60" x 32" alcove whirlpool bath, left drain

## Features

- Single-speed whirlpool offers performance and value with 8 fully adjustable jets
- Hydromassage flow and direction can be controlled at each jet
- Comfort Depth® design offers a convenient 19" step-over height while retaining the same depth as a standard 21" bath
- Integral lumbar support
- Slotted overflow allows for deep soaking
- Integral apron
- Integral flange helps prevent water from seeping behind wall and simplifies alcove installation
- Textured bottom surface
- Coordinates with other products in the Archer collection



## Available Colors/Finishes

*Color tiles intended for reference only.*

- 0 White
- 96 Biscuit
- 71 Seafoam Green



1-800-4KOHLER (1-800-456-4537)  
Kohler Co. reserves the right to make revisions without notice to product specifications.  
For the most current specification sheet, go to [www.kohler.com](http://www.kohler.com) USA or [www.kohler.ca](http://www.kohler.ca) Canada.  
3-27-2026 18:42 - US-CA

THE BOLD LOOK  
OF **KOHLER**

## Codes/Standards

ADA compliant when installed to the specific requirements of these regulations.



ASME A112.19.7/CSA B45.10  
CSA B45.5/IAPMO Z124  
UL 1795  
ADA  
ICC/ANSI A117.1  
UL Listed

## Technical Information

All product dimensions are nominal.

|                        |  |
|------------------------|--|
| Drain Location:        | Left                                   |
| Drain Hole Diameter:   | 2-1/4" (57 mm)                         |
| Minimum Flat for Door: | 2-9/16" (65 mm)                        |
| Basin Area, Bottom:    | 45-1/8" x 19-11/16" (1146 mm x 500 mm) |
| Basin Area, Top:       | 52-3/4" x 25-5/16" (1340 mm x 643 mm)  |
| Water Depth:           | 15" (381 mm)                           |
| Water Capacity:        | 58 gal (219.6 L)                       |
| Minimum Floor Load:    | 49 lbs/ft <sup>2</sup>                 |
| Weight:                | 135 lbs (61.2 kg)                      |

## Material

- Acrylic

## Recommended Products/Accessories

- K-1491 Bath/whirlpool pillow, removable
- K-1601 Bath/whirlpool footstop, removable
- K-23726 Drain treatment
- K-23732 Tub & shower cleaner
- K-31795 Slotted overflow bath drain kit for above-the-floor installations
- K-702200-6L 58" H sliding bath door with 1/4"-thick glass
- K-31797 Slotted overflow bath drain kit

## Required Electrical Service

One dedicated circuit required, protected with Class A Ground-Fault Circuit-Interrupter (GFCI). Outside North America, this device may be known as a Residual Current Device (RCD).

Pump: 120 V, 15 A, 60 Hz

## Electrical Component Ratings

Pump: 120 V, 7 A, 60 Hz

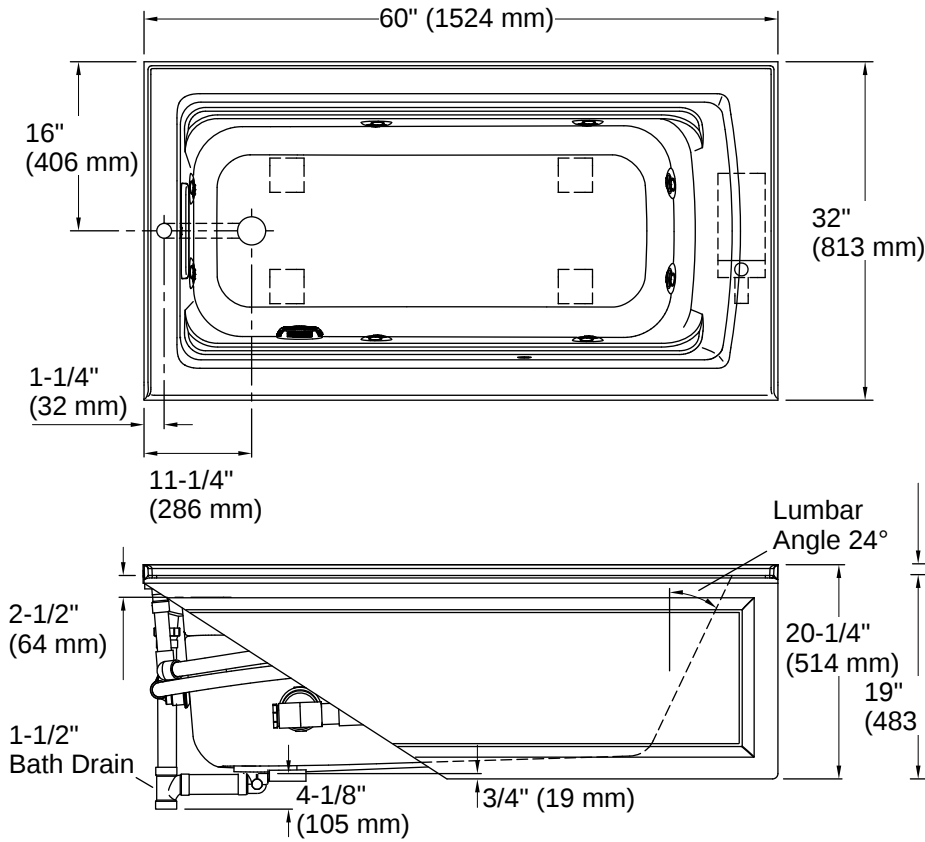
Number of Speeds: Single

## Warranty

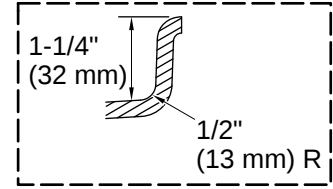
See website for detailed warranty information.

KOHLER® Plastic Baths and Shower Bases Lifetime Limited Warranty|KOHLER® Hydrotherapy Components Five-Year Limited Warranty

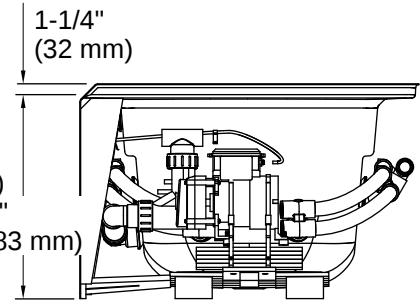




No change in measurements if connected with drain illustrated. (K-7272)



**Integral Flange Detail**



## Installation

- Left drain
- Alcove
- Requires Clearflo slotted overflow bath drain (sold separately)

## Installation Notes

*Install this product according to the installation instructions.*

Measure your actual product for rough-in details.

The hot water supply should be 70% of the capacity of the bath or greater. Installations will vary.

ADA compliant when installed to the specific requirements of these regulations.

