

Archer® | K-1124-GHLA

72" x 36" alcove Heated BubbleMassage™ air bath, left drain

Features

- 120 airjets release thousands of heated bubbles that surround and support the body in a warm massage
- Automatic and manual purge cycles remove residual water from air channels after use
- Variable-speed blower lets you adjust massage intensity to 18 levels
- Comfort Depth® design offers a convenient 19" step-over height while retaining the same depth as a standard 21" bath
- Integral lumbar support
- Slotted overflow allows for deep soaking
- Integral apron
- Integral flange helps prevent water from seeping behind wall and simplifies alcove installation
- Textured bottom surface
- Coordinates with other products in the Archer collection
- Built-in 600W BubbleMassage™ heater warms humidified air before it enters the bath
- Automatic and manual purge cycles remove residual water from air channels after use



Available Colors/Finishes

Color tiles intended for reference only.

- | | |
|----|--------------|
| 0 | White |
| 96 | Biscuit |
| 95 | Ice Grey |
| G9 | Sandbar |
| 33 | Mexican Sand |
| K4 | Cashmere |
| 7 | Black Black |



Codes/Standards

ADA compliant when installed to the specific requirements of these regulations.



- ASME A112.19.7/CSA B45.10
- CSA B45.5/IAPMO Z124
- ASTM E162
- ASTM E662
- UL 1795
- CSA C22.2 No. 218.2
- ADA
- ICC/ANSI A117.1
- UL Listed

Technical Information

All product dimensions are nominal.

Drain Location:	Left
Drain Hole Diameter:	2-1/4" (57 mm)
Minimum Flat for Door:	2" (51 mm)
Basin Area, Bottom:	51-3/8" x 21" (1305 mm x 533 mm)
Basin Area, Top:	64-1/2" x 30-1/2" (1638 mm x 775 mm)
Water Depth:	15" (381 mm)
Water Capacity:	72 gal (272.5 L)
Minimum Floor Load:	42 lbs/ft ²
Weight:	120 lbs (54.4 kg)

Material

- Acrylic

Recommended Products/Accessories

- K-1446 Remote installation kit for BubbleMassage™ air baths
- K-23726 Drain treatment
- K-23732 Tub & shower cleaner
- K-31795 Slotted overflow bath drain kit for above-the-floor installations
- K-31797 Slotted overflow bath drain kit

Technology

- Auto-shutoff timer on blower allows users to enjoy Heated BubbleMassage™ experience for 60 minutes before turning off
- User interface: electronic keypad control

Required Electrical Service

Two dedicated circuits required, protected with Class A Ground-Fault Circuit-Interrupter (GFCI). Outside North America, this device may be known as a Residual Current Device (RCD).

Blower:	120 V, 15 A, 60 Hz
Heater:	120 V, 15 A, 60 Hz

Electrical Component Ratings

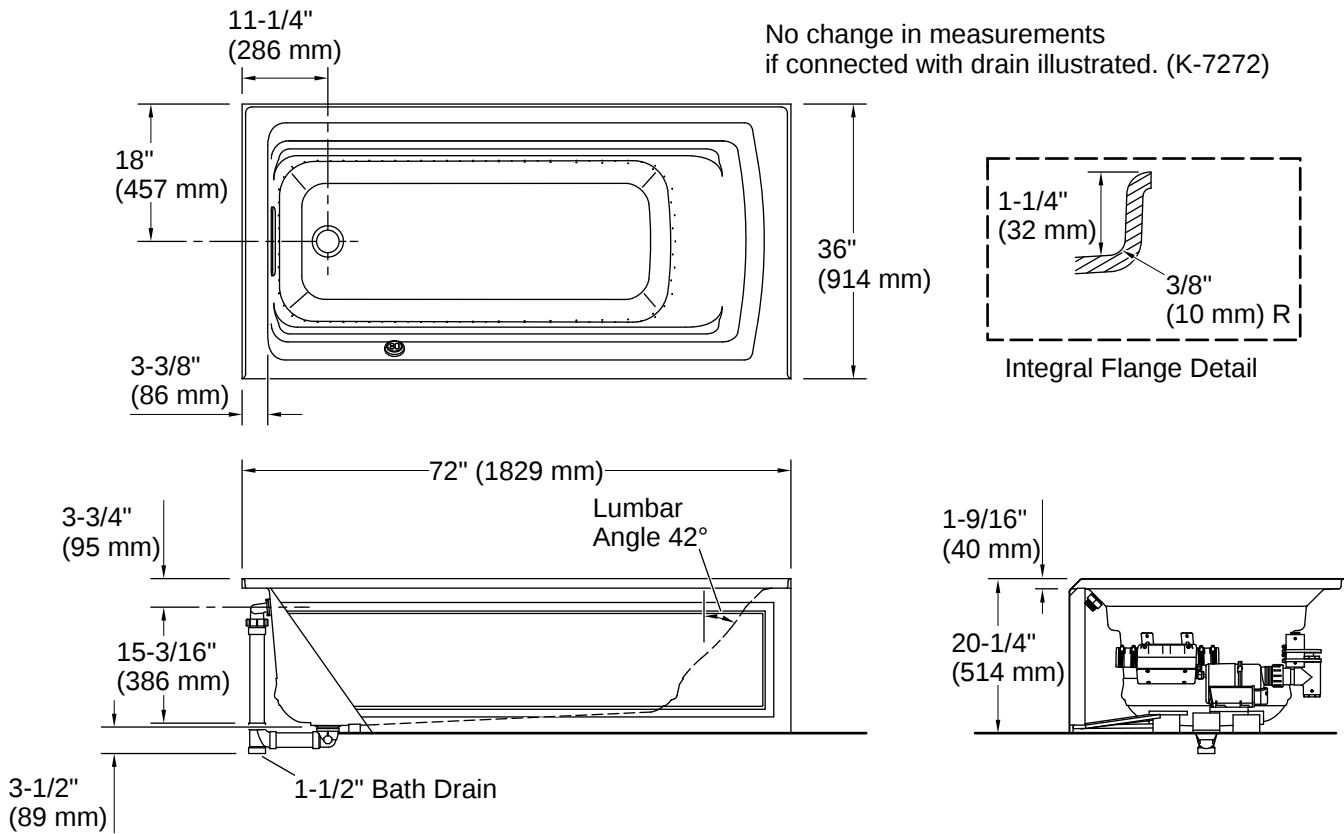
Blower:	120 V, 10 A
Heater:	120 V, 5 A, 60 Hz

Warranty

See website for detailed warranty information.

KOHLER® Plastic Baths and Shower Bases Lifetime Limited Warranty|KOHLER® Hydrotherapy Components Five-Year Limited Warranty





Installation

- Left drain
- Alcove
- Requires Clearflo slotted overflow bath drain (sold separately)

Installation Notes

Install this product according to the installation instructions.

Measure your actual product for rough-in details.

The hot water supply should be 70% of the capacity of the bath or greater. Installations will vary.

Remote blower installation kit is available for relocating the blower.

Provide access for servicing the blower.

Do not relocate or alter the PVC tee or coiled flexible tubing connected to the blower. Follow the blower relocation instructions exactly.

ADA compliant when installed to the specific requirements of these regulations.

