



Mariposa® | K-1224-GHLAW

66" x 36" alcove Heated BubbleMassage™ air bath with Bask® heated surface, left drain

Features

- Bask® heated surface creates spa-like relaxation with soothing warmth on your back, shoulders, and neck
- Three heat settings allow you to customize the surface temperature
- 120 airjets release thousands of heated bubbles that surround and support the body in a warm massage
- Variable-speed blower lets you adjust massage intensity to 18 levels
- Heated BubbleMassage™ includes 60-minute automatic shutoff timer
- Two separate electronic keypad controls for Heated BubbleMassage™ and Bask®
- Hourglass shape adds style and elegance to your bathroom
- Integral apron
- Integral flange helps prevent water from seeping behind wall and simplifies alcove installation
- Textured bottom surface
- Automatic and manual purge cycles remove residual water from air channels after use
- Bask® heated surface creates spa-like relaxation with soothing warmth on your back, shoulders, and neck



Available Colors/Finishes

Color tiles intended for reference only.

- 0 White
- 47 Almond



Codes/Standards

ASME A112.19.7/CSA B45.10
 CSA B45.5/IAPMO Z124
 ASTM E162
 ASTM E662
 UL 1795
 cUL Listed
 UL Listed

Technical Information

All product dimensions are nominal.

Drain Location:	Left
Drain Hole Diameter:	2-5/16" (58 mm)
Minimum Flat for Door:	1-15/16" (49 mm)
Basin Area, Bottom:	47-1/8" x 19-11/16" (1197 mm x 500 mm)
Basin Area, Top:	61-7/16" x 26" (1561 mm x 660 mm)
Water Depth:	13-5/8" (346 mm)
Water Capacity:	67 gal (253.6 L)
Minimum Floor Load:	56 lbs/ft ²
Weight:	121 lbs (54.9 kg)

Material

- Acrylic

Recommended Products/Accessories

- K-1446 Remote installation kit for BubbleMassage™ air baths
- K-1491 Bath/whirlpool pillow, removable
- K-1601 Bath/whirlpool footstop, removable
- K-23726 Drain treatment
- K-23732 Tub & shower cleaner

Technology

- Heated BubbleMassage™ technology warms and humidifies air before it enters the bath

Required Electrical Service

Two dedicated circuits required, protected with Class A Ground-Fault Circuit-Interrupter (GFCI). Outside North America, this device may be known as a Residual Current Device (RCD).

Blower, Heated Surface:	120 V, 15 A, 60 Hz
Air bath:	120 V, 15 A, 60 Hz

Electrical Component Ratings

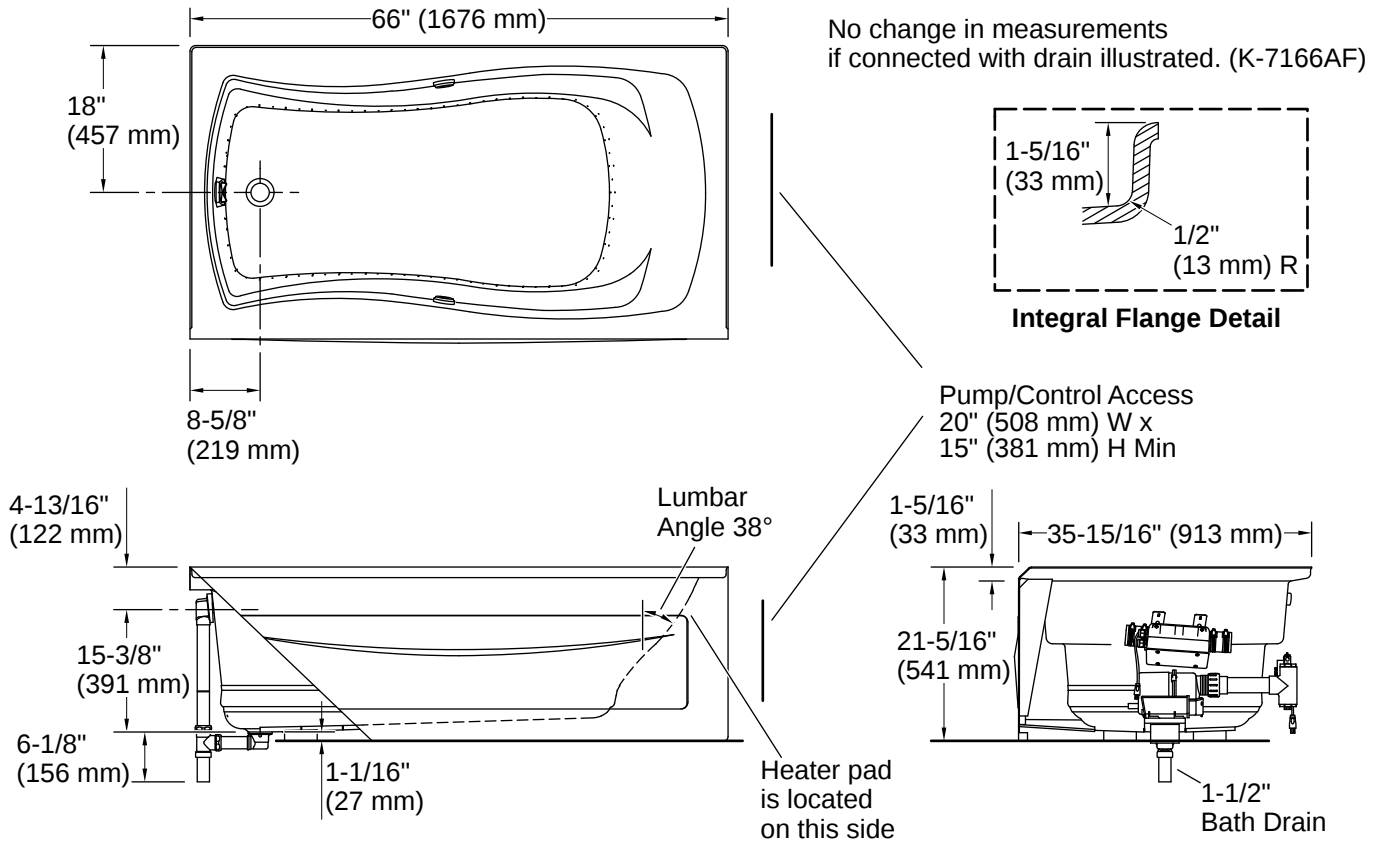
Blower:	120 V, 10 A
Heated Surface:	120 V, 0.5 A, 60 Hz, 65 W
Air bath:	120 V, 5 A, 60 Hz

Warranty

See website for detailed warranty information.

KOHLER® Plastic Baths and Shower Bases Lifetime Limited Warranty|KOHLER® Hydrotherapy Components Five-Year Limited Warranty





Installation

- Left drain

Installation Notes

Install this product according to the installation instructions.

Measure your actual product for rough-in details.

The hot water supply should be 70% of the capacity of the bath or greater. Installations will vary.

Remote blower installation kit K-1446 is available for relocating the blower. Provide access for servicing the blower.

Do not relocate or alter the PVC tee or coiled flexible tubing connected to the blower. Follow the blower relocation instructions exactly.

