



# Mariposa® | K-1224-HL

66" x 36" alcove heated whirlpool, left drain

## Features

- Single-speed whirlpool offers performance and value, with 5 fully adjustable jets
- Hydromassage flow and direction can be controlled at each jet
- Built-in heater
- Hourglass shape adds style and elegance to your bathroom
- Integral apron
- Integral flange helps prevent water from seeping behind wall and simplifies alcove installation
- Textured bottom surface



## Available Colors/Finishes

*Color tiles intended for reference only.*

■ 0 White



## Codes/Standards

ASME A112.19.7/CSA B45.10  
CSA B45.5/IAPMO Z124  
ASTM E162  
ASTM E662  
UL 1795  
UL Listed

## Technical Information

*All product dimensions are nominal.*

Drain Location:	Left
Drain Hole Diameter:	2-1/4" (57 mm)
Minimum Flat for Door:	1-3/4" (45 mm)
Basin Area, Bottom:	48" x 24" (1219 mm x 610 mm)
Basin Area, Top:	59" x 30" (1499 mm x 762 mm)
Water Depth:	14" (356 mm)
Water Capacity:	67 gal (253.6 L)
Minimum Floor Load:	42 lbs/ft <sup>2</sup>
Weight:	110 lbs (49.9 kg)

## Material

- Acrylic

## Recommended Products/Accessories

K-23726 Drain treatment  
K-23732 Tub & shower cleaner  
K-7214 Cable bath drain, less PVC tubing

## Required Electrical Service

Two dedicated circuits required, protected with Class A Ground-Fault Circuit-Interrupter (GFCI). Outside North America, this device may be known as a Residual Current Device (RCD).

Pump:	120 V, 15 A, 60 Hz
Heater:	120 V, 15 A, 60 Hz

## Electrical Component Ratings

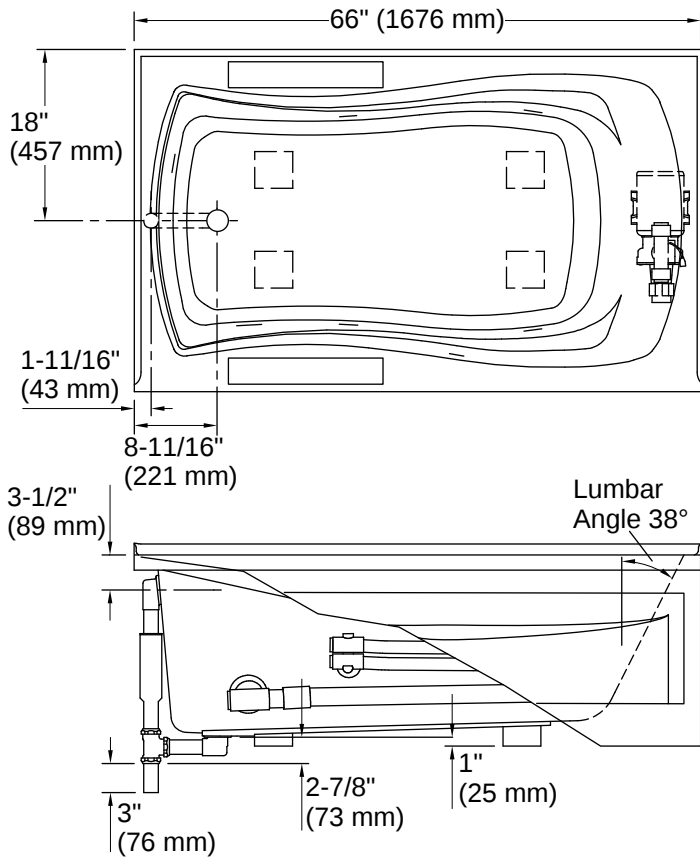
Pump:	120 V, 12.5 A, 60 Hz
Number of Speeds:	Single
Heater:	120 V, 12.5 A, 60 Hz, 1500 W

## Warranty

*See website for detailed warranty information.*

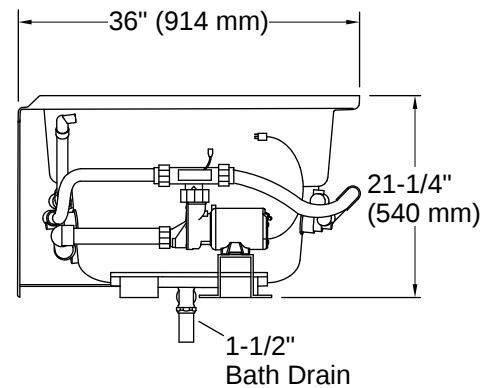
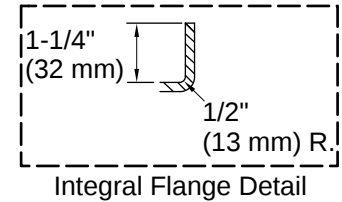
KOHLER® Plastic Baths and Shower Bases Lifetime Limited  
Warranty|KOHLER® Hydrotherapy Components Five-Year Limited  
Warranty





No change in measurements if connected with drain illustrated. (K-7161-AF)

 Recommended Faucet Location



## Installation

- Left drain
- Alcove

## Installation Notes

*Install this product according to the installation instructions.*

Measure your actual product for rough-in details.

The hot water supply should be 70% of the capacity of the bath or greater. Installations will vary.

If installing a rim-mount faucet, make sure there is no interference above or below the deck before drilling any holes.



1-800-4KOHLER (1-800-456-4537)

Kohler Co. reserves the right to make revisions without notice to product specifications.

For the most current specification sheet, go to [www.kohler.com](http://www.kohler.com) USA or [www.kohler.ca](http://www.kohler.ca) Canada.

4-7-2026 21:5 - US-CA