



Mariposa® | K-1257-L

72" x 36" alcove whirlpool bath, left drain

Features

- 72"L x 36"W x 20"H
- Six adjustable ProFlex® whirlpool jets for maximum bather comfort
- Innovative technology enables this pump to provide a strong, steady level of hydromassage
- Includes integral flange to simplify installation and prevent the possibility of water damage behind the wall
- Textured bottom surface



Available Colors/Finishes

Color tiles intended for reference only.

■ 0 White



1-800-4KOHLER (1-800-456-4537)
Kohler Co. reserves the right to make revisions without notice to product specifications.
For the most current specification sheet, go to www.kohler.com USA or www.kohler.ca Canada.
4-7-2026 20:11 - US-CA

THE BOLD LOOK
OF **KOHLER**®

Codes/Standards

ASME A112.19.7/CSA B45.10
CSA B45.5/IAPMO Z124
ASTM E162
ASTM E662
UL 1795
UL Listed

Technical Information

All product dimensions are nominal.

Drain Location:	Left
Drain Hole Diameter:	2-1/4" (57 mm)
Basin Area, Bottom:	50" x 24" (1270 mm x 610 mm)
Basin Area, Top:	65" x 27" (1651 mm x 686 mm)
Water Depth:	14" (356 mm)
Water Capacity:	72 gal (272.5 L)
Minimum Floor Load:	41 lbs/ft ²
Weight:	110 lbs (49.9 kg)

Material

- Acrylic

Recommended Products/Accessories

- K-1491 Bath/whirlpool pillow, removable
- K-1601 Bath/whirlpool footstop, removable
- K-23726 Drain treatment
- K-23732 Tub & shower cleaner
- K-7214 Cable bath drain, less PVC tubing
- K-7265 Brass toe tap bath drain

Required Electrical Service

One dedicated circuit required, protected with Class A Ground-Fault Circuit-Interrupter (GFCI). Outside North America, this device may be known as a Residual Current Device (RCD).

Pump: 120 V, 15 A, 60 Hz

Electrical Component Ratings

Pump: 120 V, 7.5 A, 60 Hz

Number of Speeds: Single

Warranty

See website for detailed warranty information.

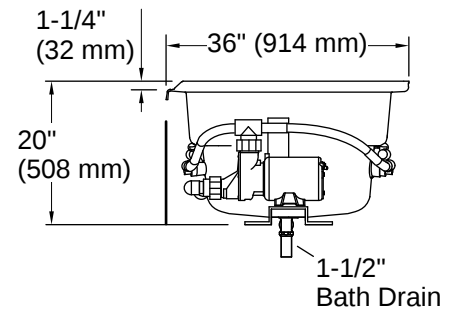
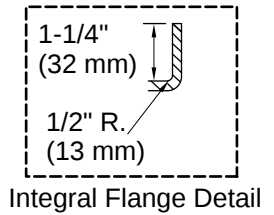
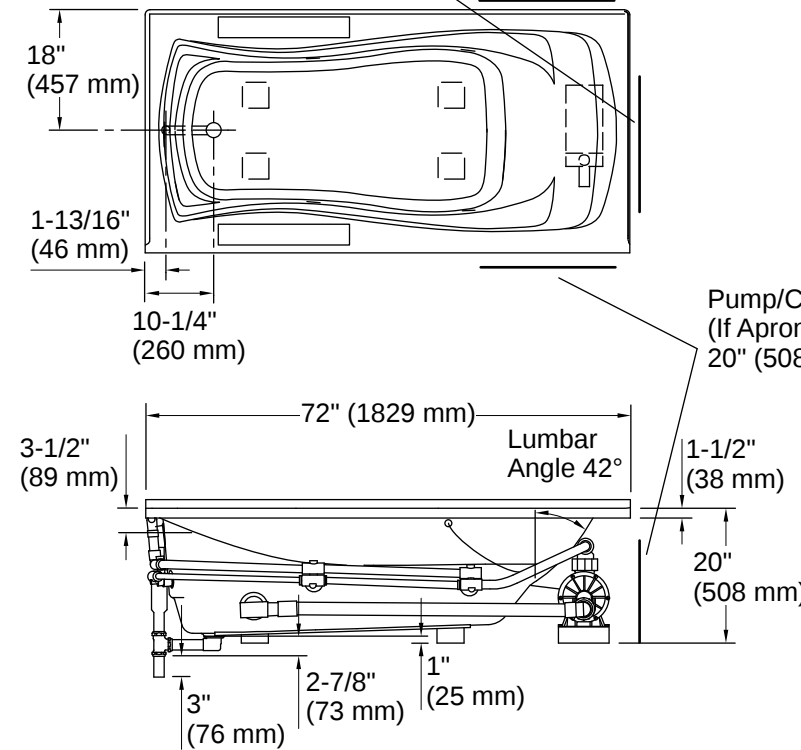
KOHLER® Plastic Baths and Shower Bases Lifetime Limited Warranty|KOHLER® Hydrotherapy Components Five-Year Limited Warranty



Pump/Control Access (If Apron Is Not Used):
20" (508 mm) W x 15" (381 mm) H

No change in measurements if connected with
drain illustrated. (K-11677)

 Recommended Faucet Location



Installation

- Alcove

Installation Notes

Install this product according to the installation instructions.

Measure your actual product for rough-in details.

The hot water supply should be 70% of the capacity of the bath or greater. Installations will vary.

If installing a rim-mount faucet, make sure there is no interference above or below the deck before drilling any holes.

