

Archer® | K-1946-LW

60" x 30" alcove bath with Bask® heated surface, left drain

Features

- Bask® heated surface creates spa-like relaxation with soothing warmth on your back, shoulders, and neck
- Three heat settings allow you to customize the surface temperature
- Comfort Depth® design offers a convenient 19" step-over height while retaining the same depth as a standard 21" bath
- Integral lumbar support
- Slotted overflow allows for deep soaking
- Integral flange helps prevent water from seeping behind wall and simplifies alcove installation
- Textured bottom surface
- Coordinates with other products in the Archer collection



Available Colors/Finishes

Color tiles intended for reference only.

- 0 White
- 96 Biscuit
- 95 Ice Grey
- 7 Black Black



Codes/Standards

ADA compliant when installed to the specific requirements of these regulations.



CSA B45.5/IAPMO Z124
 UL 1795
 ADA
 ICC/ANSI A117.1
 UL Listed

Technical Information

All product dimensions are nominal.

| | |
|------------------------|--|
| Drain Location: | Left |
| Drain Hole Diameter: | 2-1/4" (57 mm) |
| Minimum Flat for Door: | 2-9/16" (65 mm) |
| Basin Area, Bottom: | 45-1/8" x 19-11/16" (1146 mm x 500 mm) |
| Basin Area, Top: | 52-1/8" x 22-1/16" (1324 mm x 560 mm) |
| Water Depth: | 15-1/8" (384 mm) |
| Water Capacity: | 57 gal (215.8 L) |
| Minimum Floor Load: | 45.5 lbs/ft ² |
| Weight: | 68 lbs (30.8 kg) |

Material

- Acrylic

Recommended Products/Accessories

K-23726 Drain treatment

K-23732 Tub & shower cleaner

K-31795 Slotted overflow bath drain kit for above-the-floor installations

K-31797 Slotted overflow bath drain kit

Required Electrical Service

One circuit required, protected with Class A Ground-Fault Circuit-Interrupter (GFCI). Outside North America, this device may be known as a Residual Current Device (RCD).

Heated Surface: 120 V, 15 A, 60 Hz

Electrical Component Ratings

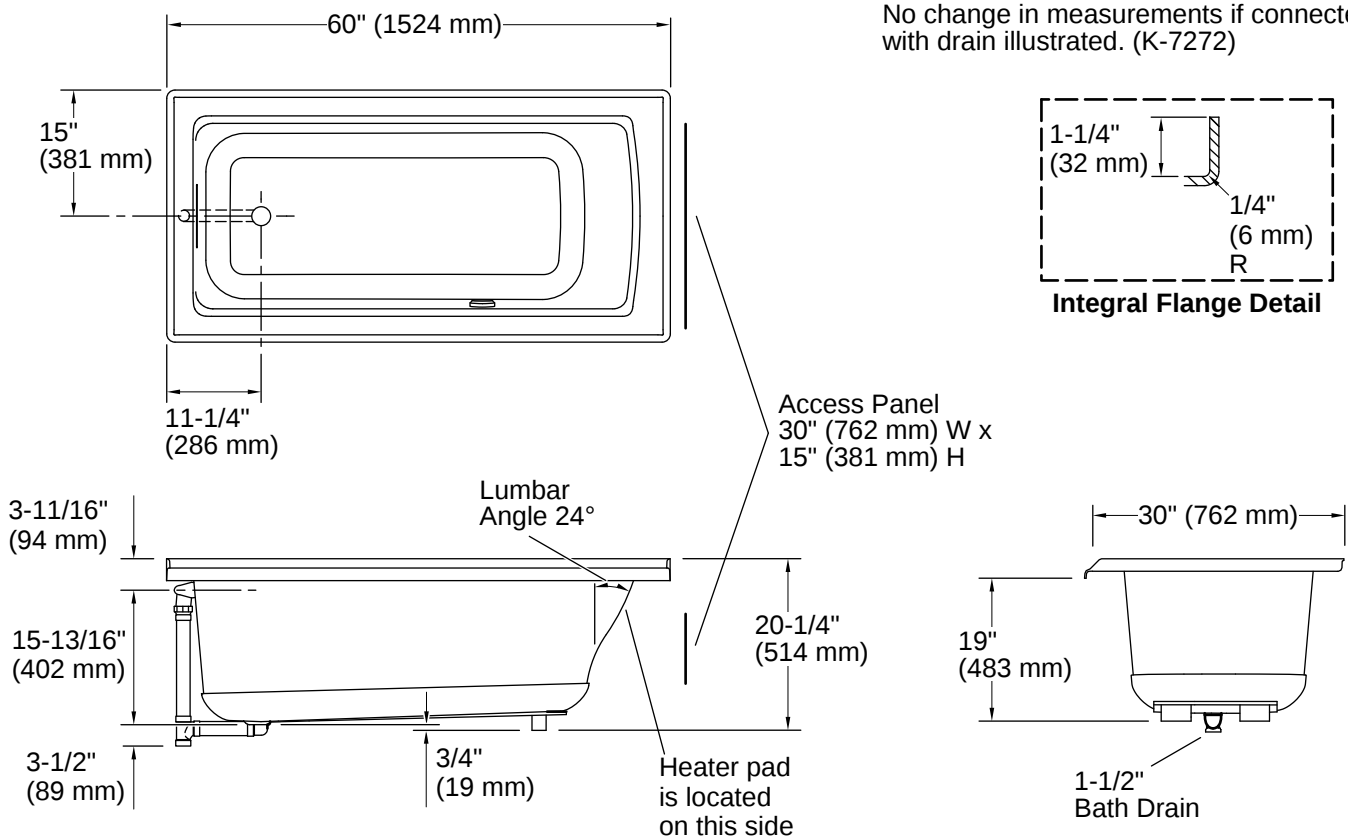
Heated Surface: 120 V, 0.5 A, 60 Hz, 65 W

Warranty

See website for detailed warranty information.

KOHLER® Plastic Baths and Shower Bases Lifetime Limited Warranty|KOHLER® Hydrotherapy Components Five-Year Limited Warranty





Installation

- Left drain
- Alcove
- Requires Clearflo slotted overflow bath drain (sold separately)

Installation Notes

Install this product according to the installation instructions.

Measure your actual product for rough-in details.

The hot water supply should be 70% of the capacity of the bath or greater. Installations will vary.

ADA compliant when installed to the specific requirements of these regulations.

