



# Archer® | K-1949-LA

66" x 32" integral apron whirlpool with integral flange and left-hand drain

## Features

- Single-speed whirlpool offers performance and value with 8 fully adjustable jets
- Hydromassage flow and direction can be controlled at each jet
- Comfort Depth® design offers a convenient 19" step-over height while retaining the same depth as a standard 21" bath
- Integral lumbar support
- Slotted overflow allows for deep soaking
- Integral apron
- Integral flange helps prevent water from seeping behind wall and simplifies alcove installation
- Textured bottom surface
- Coordinates with other products in the Archer collection



## Available Colors/Finishes

*Color tiles intended for reference only.*

- 0 White
- 96 Biscuit
- 95 Ice Grey
- 7 Black Black



1-800-4KOHLER (1-800-456-4537)  
Kohler Co. reserves the right to make revisions without notice to product specifications.  
For the most current specification sheet, go to [www.kohler.com](http://www.kohler.com) USA or [www.kohler.ca](http://www.kohler.ca) Canada.  
3-27-2026 18:58 - US-CA

THE BOLD LOOK  
OF **KOHLER**

## Codes/Standards

ADA compliant when installed to the specific requirements of these regulations.

ADA

ASME A112.19.7/CSA B45.10  
CSA B45.5/IAPMO Z124  
UL 1795  
CSA C22.2 No. 218.2  
ADA  
ICC/ANSI A117.1  
cUL Listed  
UL Listed

## Technical Information

All product dimensions are nominal.

Drain Location:	Left
Drain Hole Diameter:	2-1/4" (57 mm)
Minimum Flat for Door:	2-3/16" (55 mm)
Basin Area, Bottom:	50-3/8" x 19-5/8" (1280 mm x 498 mm)
Basin Area, Top:	57-5/16" x 24-1/16" (1456 mm x 611 mm)
Water Depth:	15-5/16" (389 mm)
Water Capacity:	66 gal (249.8 L)
Minimum Floor Load:	47 lbs/ft <sup>2</sup>
Weight:	120 lbs (54.4 kg)

## Material

- Acrylic

## Recommended Products/Accessories

K-23726 Drain treatment

K-23732 Tub & shower cleaner

K-31795 Slotted overflow bath drain kit for above-the-floor installations

K-31797 Slotted overflow bath drain kit

## Required Electrical Service

One dedicated circuit required, protected with Class A Ground-Fault Circuit-Interrupter (GFCI). Outside North America, this device may be known as a Residual Current Device (RCD).

Pump: 120 V, 15 A, 60 Hz

## Electrical Component Ratings

Pump: 120 V, 7 A, 60 Hz

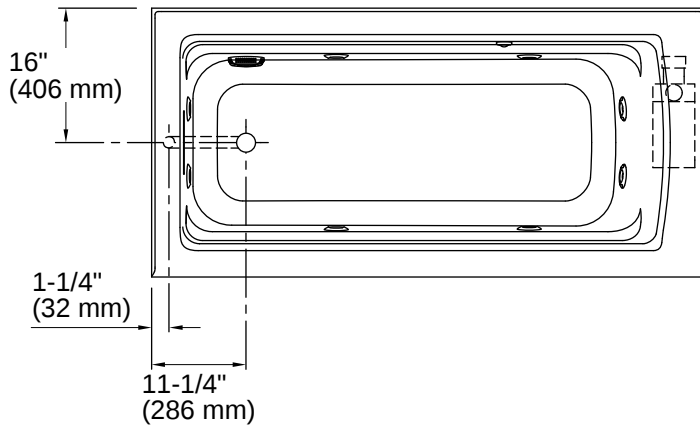
Number of Speeds: Single

## Warranty

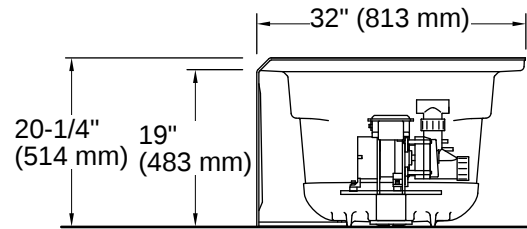
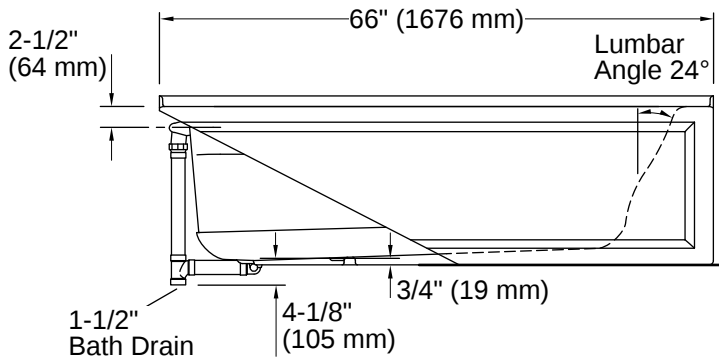
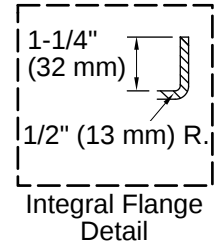
See website for detailed warranty information.

KOHLER® Plastic Baths and Shower Bases Lifetime Limited Warranty|KOHLER® Hydrotherapy Components Five-Year Limited Warranty





No change in measurements if connected with drain illustrated. (K-7272)



Installation

- Left drain
- Alcove
- Requires Clearflo slotted overflow bath drain (sold separately)

Installation Notes

*Install this product according to the installation instructions.*

Measure your actual product for rough-in details.  
 The hot water supply should be 70% of the capacity of the bath or greater. Installations will vary.  
 ADA compliant when installed to the specific requirements of these regulations.

