



Underscore® | K-1957-LA

60" x 32" alcove bath, left drain

Features

- Integral lumbar support
- Slotted overflow allows for deep soaking
- Integral apron creates a clean, finished look
- Integral flange helps prevent water from seeping behind wall and simplifies alcove installation
- Textured bottom surface



Available Colors/Finishes

Color tiles intended for reference only.

- 0 White
- 96 Biscuit
- 7 Black Black



1-800-4KOHLER (1-800-456-4537)
Kohler Co. reserves the right to make revisions without notice to product specifications.
For the most current specification sheet, go to www.kohler.com USA or www.kohler.ca Canada.
3-27-2026 15:19 - US-CA

THE BOLD LOOK
OF **KOHLER**

Codes/Standards

CSA B45.5/IAPMO Z124
 ASTM E162
 ASTM E662

Technical Information

All product dimensions are nominal.

| | |
|------------------------|----------------------------------|
| Drain Location: | Left |
| Drain Hole Diameter: | 2-1/4" (57 mm) |
| Minimum Flat for Door: | 2-13/16" (72 mm) |
| Basin Area, Bottom: | 46-1/4" x 22" (1175 mm x 559 mm) |
| Basin Area, Top: | 52" x 24" (1321 mm x 610 mm) |
| Water Depth: | 15-1/2" (394 mm) |
| Water Capacity: | 68 gal (257.4 L) |
| Minimum Floor Load: | 56 lbs/ft ² |
| Weight: | 105 lbs (47.6 kg) |

Material

- Acrylic

Recommended Products/Accessories

K-23726 Drain treatment

K-23732 Tub & shower cleaner

K-31795 Slotted overflow bath drain kit for above-the-floor installations

K-31797 Slotted overflow bath drain kit

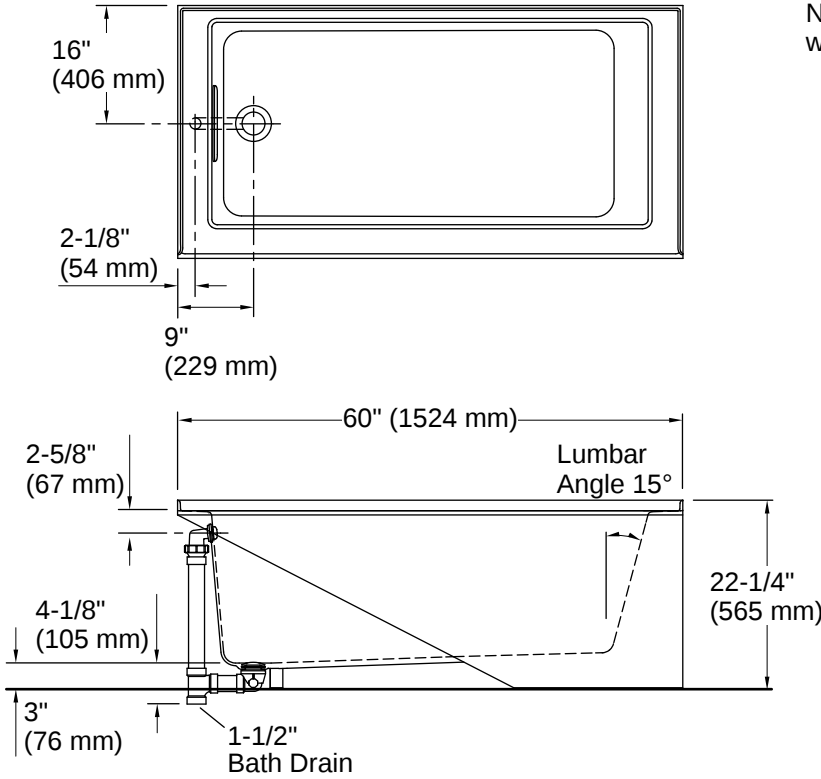
Warranty

See website for detailed warranty information.

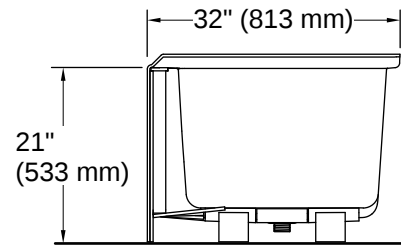
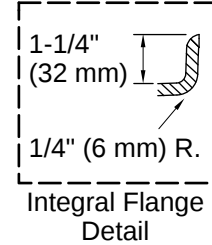
KOHLER® Plastic Baths and Shower Bases Lifetime Limited Warranty



1-800-4KOHLER (1-800-456-4537)
 Kohler Co. reserves the right to make revisions without notice to product specifications.
 For the most current specification sheet, go to www.kohler.com USA or www.kohler.ca Canada.
 3-27-2026 15:19 - US-CA



No change in measurements if connected with drain illustrated. (K-7272)



Installation

- Left drain
- Requires Clearflo slotted overflow bath drain (sold separately)
- Alcove

Installation Notes

Install this product according to the installation instructions.

Measure your actual product for rough-in details.

The hot water supply should be 70% of the capacity of the bath or greater. Installations will vary.

