

## Features

- Slotted overflow allows for deep soaking
- 13-1/4" (337 mm) deep-soaking depth provides a relaxing bathing experience
- Integral lumbar support and neck rest offer extra comfort while bathing
- Low step-over height allows easy entry and exit
- Integral overflow reduces installation time
- Toe-tap drain color-matched to the bath
- Textured bottom surface

## Material

- Acrylic

## Installation

- Drop-in
- Reversible drain



**ADA**

## Codes/Standards

CSA B45.5/IAPMO Z124  
ASTM E162  
ASTM E662  
ADA  
ICC/ANSI A117.1

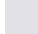

## KOHLER® Plastic Baths and Shower Bases Lifetime Limited Warranty

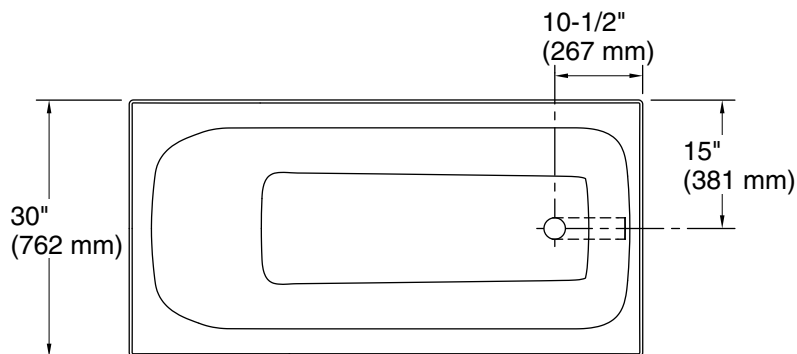
See website for detailed warranty information.

## Available Colors/Finishes

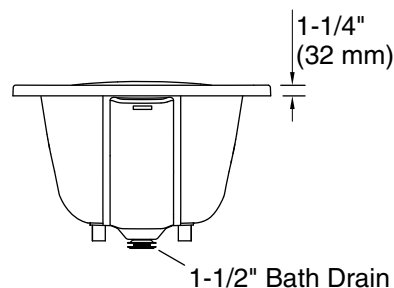
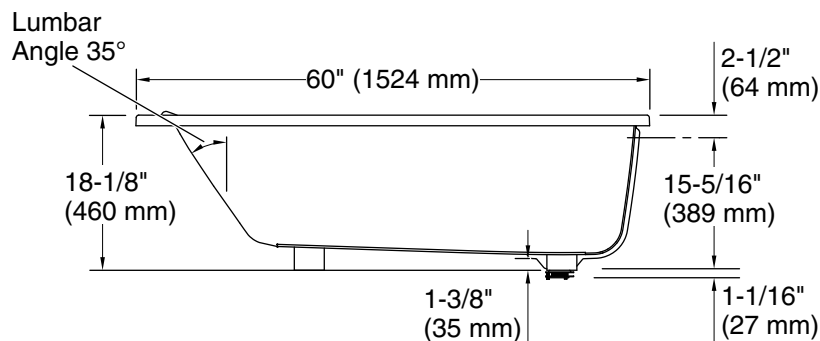
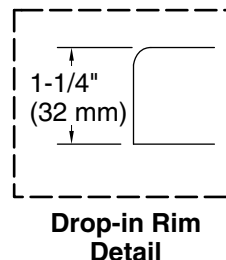
*Color tiles intended for reference only.*

| Color | Code | Description |
|-------|------|-------------|
|-------|------|-------------|

|   |    |         |
|---|----|---------|
|  | 0  | White   |
|  | 96 | Biscuit |



No change in measurements if connected with drain illustrated. (1475082)



## Technical Information

All product dimensions are nominal.

|                        |   |
|------------------------|---|
| Drain location:        | Reversible  |
| Basin area, bottom:    | 43-1/2" x 18-7/8" (1105 mm x 480 mm)                |
| Basin area, top:       | 55-7/8" x 23-1/2" (1420 mm x 597 mm)                |
| Weight:                | 82 lbs (37.2 kg)                                    |
| Minimum floor load:    | 40.9 lbs/ft <sup>2</sup> (199.7 kg/m <sup>2</sup> ) |
| Water depth:           | 13-1/4" (337 mm)                                    |
| Water capacity:        | 51.06 gal (193.3 L)                                 |
| Minimum flat for door: | 2-15/16" (75 mm)                                    |

## Notes

Measure your actual product for rough-in details.

Install this product according to the installation instructions.

The hot water supply should be 70% of the capacity of the bath or greater. Installations will vary.

ADA compliant when installed to the specific requirements of these regulations.