



Avec® | K-25832-LA

60" x 36" alcove bath, left drain

Features

- Slotted overflow allows for deep soaking
- 13-1/4" (337 mm) deep-soaking depth provides a relaxing bathing experience
- Integral lumbar support and neck rest offer extra comfort while bathing
- Low step-over height allows easy entry and exit
- Integral overflow reduces installation time
- Integral apron creates a clean, finished look
- Textured bottom surface



Available Colors/Finishes

Color tiles intended for reference only.

- 0 White
- 96 Biscuit
- NY Dune



1-800-4KOHLER (1-800-456-4537)
Kohler Co. reserves the right to make revisions without notice to product specifications.
For the most current specification sheet, go to www.kohler.com USA or www.kohler.ca Canada.
3-27-2026 20:5 - US-CA

THE BOLD LOOK
OF **KOHLER**

Codes/Standards

ADA compliant when installed to the specific requirements of these regulations.

ADA

CSA B45.5/IAPMO Z124
 ASTM E162
 ASTM E662
 ADA
 ICC/ANSI A117.1

Technical Information

All product dimensions are nominal.

Drain Location:	Left
Drain Hole Diameter:	2-1/4" (57 mm)
Minimum Flat for Door:	2-15/16" (75 mm)
Basin Area, Bottom:	43-1/2" x 24-7/8" (1105 mm x 632 mm)
Basin Area, Top:	55-15/16" x 29-1/2" (1421 mm x 749 mm)
Water Depth:	13-1/4" (337 mm)
Water Capacity:	65.4 gal (247.6 L)
Minimum Floor Load:	43.4 lbs/ft ²
Weight:	106.24 lbs (48.2 kg)

Material

- Acrylic

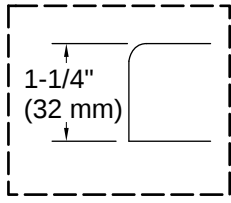
Warranty

See website for detailed warranty information.

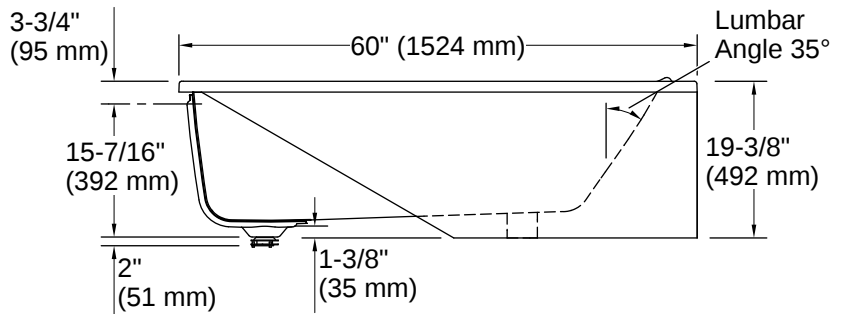
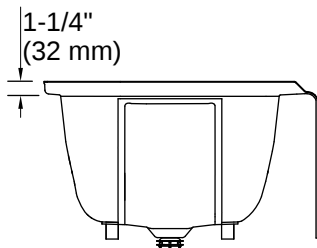
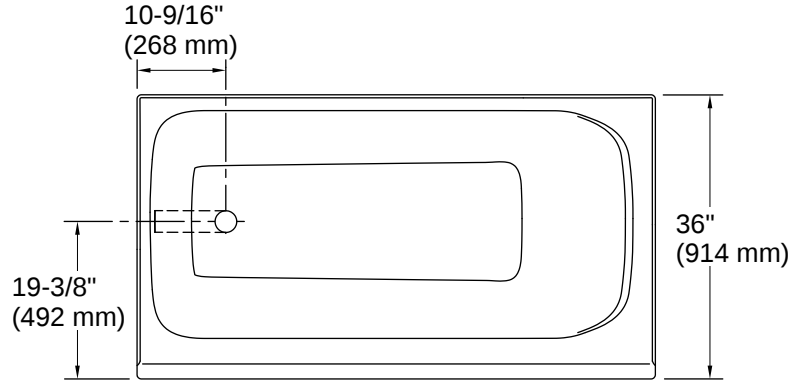
KOHLER® Plastic Baths and Shower Bases Lifetime Limited Warranty



No change in measurements if connected with drain illustrated. (1475082)



Drop-in Rim Detail



Installation

- Alcove
- Left drain

Installation Notes

Install this product according to the installation instructions.

Measure your actual product for rough-in details.

The hot water supply should be 70% of the capacity of the bath or greater. Installations will vary.

ADA compliant when installed to the specific requirements of these regulations.

