



Entity® | K-26107-LA

60" x 36" alcove bath with left drain

Features

- Integral apron creates a clean, finished look
- Low step-over height allows easy entry and exit
- Round overflow
- Integral lumbar support
- Textured bottom surface



Available Colors/Finishes

Color tiles intended for reference only.

- 0 White



1-800-4KOHLER (1-800-456-4537)
Kohler Co. reserves the right to make revisions without notice to product specifications.
For the most current specification sheet, go to www.kohler.com USA or www.kohler.ca Canada.
3-27-2026 15:29 - US-CA

THE BOLD LOOK
OF **KOHLER**®

Codes/Standards

ADA compliant when installed to the specific requirements of these regulations.



CSA B45.5/IAPMO Z124
ASTM E162
ASTM E662
ADA
ICC/ANSI A117.1

Technical Information

All product dimensions are nominal.

| | |
|------------------------|---------------------------------------|
| Drain Location: | Left |
| Drain Hole Diameter: | 2-1/4" (57 mm) |
| Minimum Flat for Door: | 2-15/16" (74 mm) |
| Basin Area, Bottom: | 45-1/16" x 28-3/8" (1145 mm x 720 mm) |
| Basin Area, Top: | 53-1/16" x 30-3/8" (1348 mm x 771 mm) |
| Water Depth: | 9-1/8" (232 mm) |
| Water Capacity: | 47.4 gal (179.4 L) |
| Minimum Floor Load: | 36 lbs/ft ² |
| Weight: | 65 lbs (29.5 kg) |

Material

- Acrylic

Recommended Products/Accessories

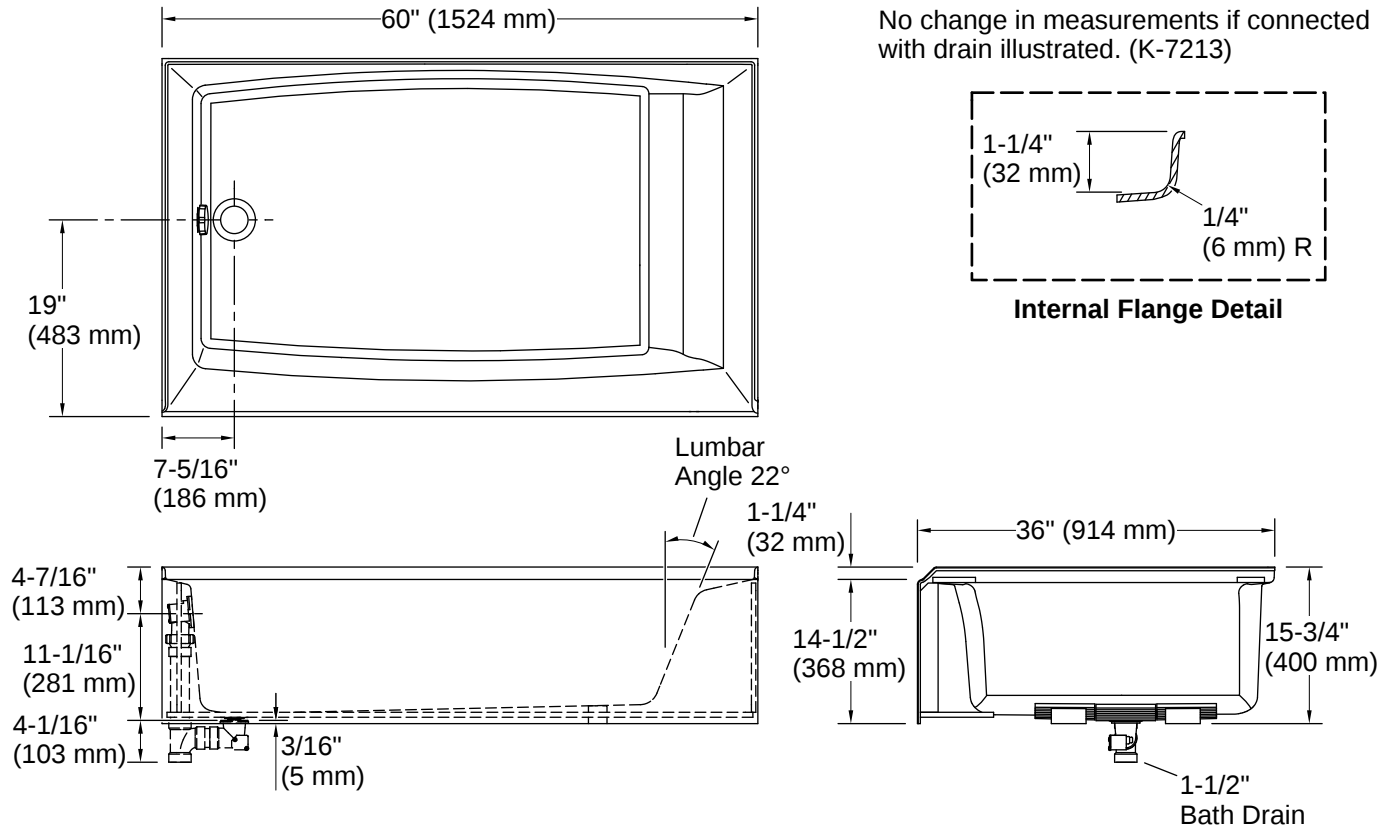
- K-23726 Drain treatment
- K-23732 Tub & shower cleaner
- K-11660 1-1/2" adjustable drain, 17-gauge brass, for 14" to 16" baths

Warranty

See website for detailed warranty information.

KOHLER® Plastic Baths and Shower Bases Lifetime Limited Warranty





Installation

- Alcove
- Integral flange
- Left drain

Installation Notes

Install this product according to the installation instructions.

Measure your actual product for rough-in details.

The hot water supply should be 70% of the capacity of the bath or greater. Installations will vary.

ADA compliant when installed to the specific requirements of these regulations.

