



Entity® | K-26108-LA

60" x 32" alcove bath with left drain

Features

- Integral apron creates a clean, finished look
- Low step-over height allows easy entry and exit
- Round overflow
- Integral lumbar support
- Textured bottom surface



Available Colors/Finishes

Color tiles intended for reference only.

- 0 White



1-800-4KOHLER (1-800-456-4537)
Kohler Co. reserves the right to make revisions without notice to product specifications.
For the most current specification sheet, go to www.kohler.com USA or www.kohler.ca Canada.
3-27-2026 14:8 - US-CA

THE BOLD LOOK
OF **KOHLER**®

Codes/Standards

ADA compliant when installed to the specific requirements of these regulations.

ADA

CSA B45.5/IAPMO Z124
ASTM E162
ASTM E662
ADA
ICC/ANSI A117.1

Technical Information

All product dimensions are nominal.

Drain Location:	Left
Drain Hole Diameter:	2-1/4" (57 mm)
Minimum Flat for Door:	2-15/16" (74 mm)
Basin Area, Bottom:	45-1/16" x 24-3/8" (1145 mm x 619 mm)
Basin Area, Top:	53-1/16" x 26-3/8" (1348 mm x 670 mm)
Water Depth:	9-1/8" (232 mm)
Water Capacity:	40.6 gal (153.7 L)
Minimum Floor Load:	36 lbs/ft ²
Weight:	61 lbs (27.7 kg)

Material

- Acrylic

Recommended Products/Accessories

K-23726 Drain treatment
K-23732 Tub & shower cleaner
K-11660 1-1/2" adjustable drain, 17-gauge brass, for 14" to 16" baths

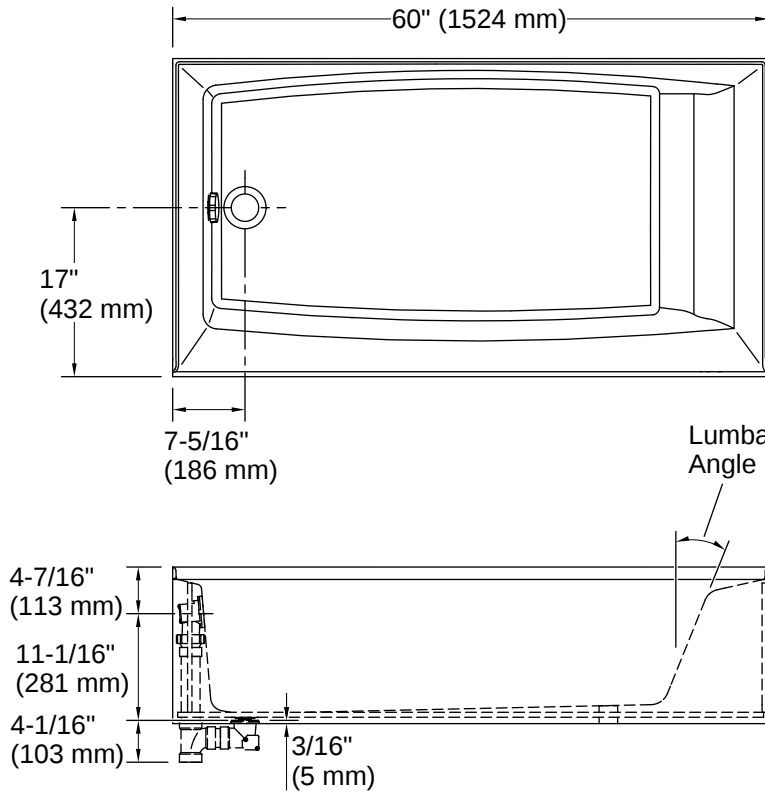
Warranty

See website for detailed warranty information.

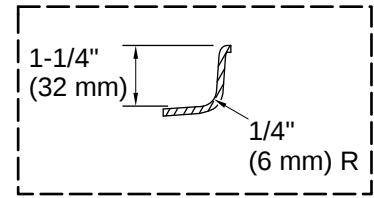
KOHLER® Plastic Baths and Shower Bases Lifetime Limited Warranty



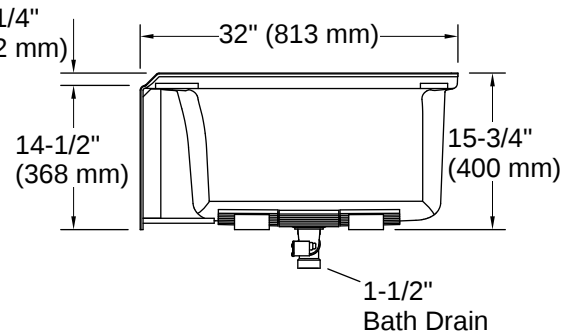
1-800-4KOHLER (1-800-456-4537)
Kohler Co. reserves the right to make revisions without notice to product specifications.
For the most current specification sheet, go to www.kohler.com USA or www.kohler.ca Canada.
3-27-2026 14:8 - US-CA



No change in measurements if connected with drain illustrated. (K-7213)



Internal Flange Detail



Installation

- Alcove
- Integral flange
- Left drain

Installation Notes

Install this product according to the installation instructions.

Measure your actual product for rough-in details.

The hot water supply should be 70% of the capacity of the bath or greater. Installations will vary.

ADA compliant when installed to the specific requirements of these regulations.

