



# Memoirs® | K-721

60" x 33-3/4" alcove bath, left drain

## Features

- Integral apron
- Safeguard® slip-resistant surface provides excellent traction underfoot
- Coordinates with other products in the Memoirs collection
- Integral lumbar support



## Sustainability



## Available Colors/Finishes

*Color tiles intended for reference only.*

- 0 White



1-800-4KOHLER (1-800-456-4537)  
Kohler Co. reserves the right to make revisions without notice to product specifications.  
For the most current specification sheet, go to [www.kohler.com](http://www.kohler.com) USA or [www.kohler.ca](http://www.kohler.ca) Canada.  
3-27-2026 17:14 - US-CA

THE BOLD LOOK  
OF **KOHLER**®

## Codes/Standards

ADA compliant when installed to the specific requirements of these regulations.

ADA

ASME A112.19.1/CSA B45.2  
ASTM F462  
ADA  
ICC/ANSI A117.1

## Warranty

See website for detailed warranty information.

KOHLER® Enameled Cast Iron Bath and Shower Base Lifetime Limited Warranty

## Technical Information

All product dimensions are nominal.

Drain Location:	Left
Drain Hole Diameter:	2-1/4" (57 mm)
Minimum Flat for Door:	2-1/2" (64 mm)
Basin Area, Bottom:	45" x 23" (1143 mm x 584 mm)
Basin Area, Top:	54" x 25" (1372 mm x 635 mm)
Water Depth:	11-5/8" (295 mm)
Water Capacity:	52 gal (196.8 L)
Minimum Floor Load:	61 lbs/ft <sup>2</sup>
Weight:	390 lbs (176.9 kg)

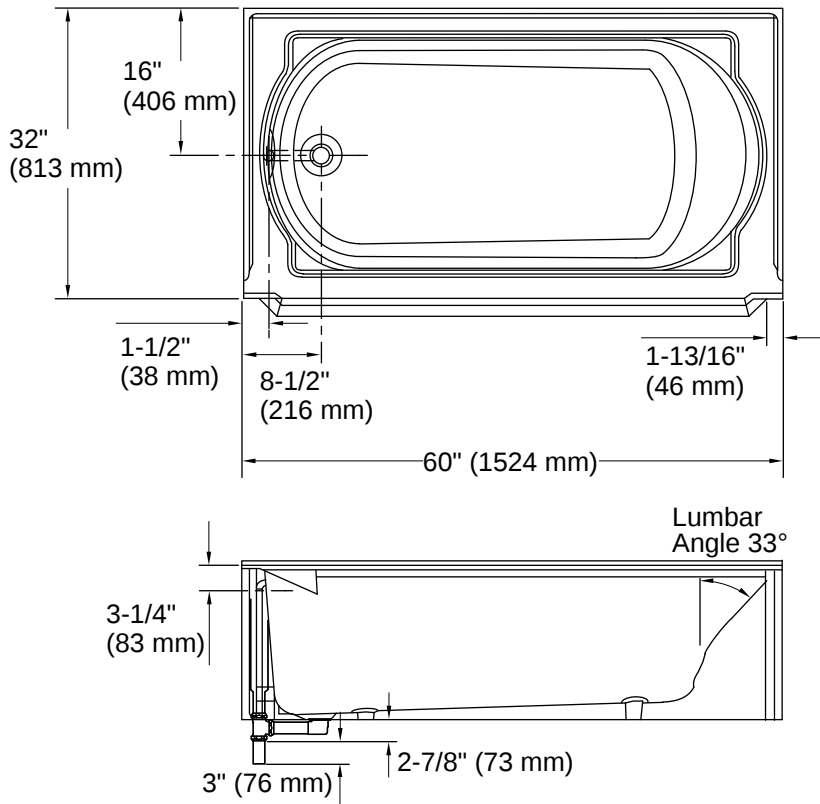
## Material

- KOHLER® enameled cast iron

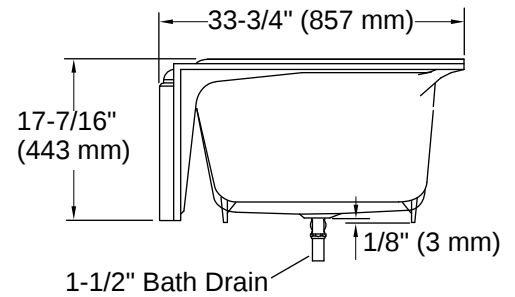
## Recommended Products/Accessories

K-1491 Bath/whirlpool pillow, removable  
K-1601 Bath/whirlpool footstop, removable  
K-23726 Drain treatment  
K-702200-6L 58" H sliding bath door with 1/4"-thick glass  
K-23725 Cast iron cleaner  
K-706000-L 62" H sliding bath door with 1/4"-thick glass  
K-706004-L Sliding bath door, 62" H x 56-5/8" - 59-5/8" W, with 1/4" thick Crystal Clear glass





No change in measurements if connected with drain illustrated. (K-7161-AF)



## Installation

- Left drain
- Alcove
- Integral flange

## Installation Notes

*Install this product according to the installation instructions.*

Measure your actual product for rough-in details.

The hot water supply should be 70% of the capacity of the bath or greater. Installations will vary.

ADA compliant when installed to the specific requirements of these regulations.

