



# Seaforth™ | K-745

54" x 30-1/4" alcove bath, left drain

## Features

- Integral apron
- Safeguard® slip-resistant surface provides excellent traction underfoot



## Sustainability



## Available Colors/Finishes

*Color tiles intended for reference only.*

- 0 White



1-800-4KOHLER (1-800-456-4537)  
Kohler Co. reserves the right to make revisions without notice to product specifications.  
For the most current specification sheet, go to [www.kohler.com](http://www.kohler.com) USA or [www.kohler.ca](http://www.kohler.ca) Canada.  
4-7-2026 20:0 - US-CA

THE BOLD LOOK  
OF **KOHLER**

## Codes/Standards

*ADA compliant when installed to the specific requirements of these regulations.*

ADA

ASME A112.19.1/CSA B45.2  
ASTM F462  
ADA  
ICC/ANSI A117.1

## Technical Information

*All product dimensions are nominal.*

Drain Location:	Left
Drain Hole Diameter:	2-1/4" (57 mm)
Minimum Flat for Door:	2-7/16" (62 mm)
Basin Area, Bottom:	37" x 22" (940 mm x 559 mm)
Basin Area, Top:	48" x 24" (1219 mm x 610 mm)
Water Depth:	8-5/8" (219 mm)
Water Capacity:	30 gal (113.6 L)
Minimum Floor Load:	49 lbs/ft <sup>2</sup>
Weight:	277 lbs (125.6 kg)

## Material

- KOHLER® enameled cast iron

## Recommended Products/Accessories

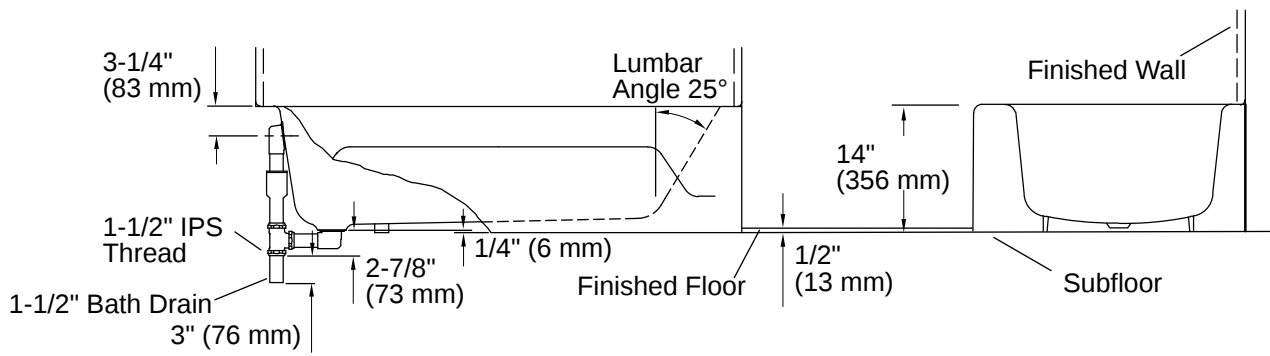
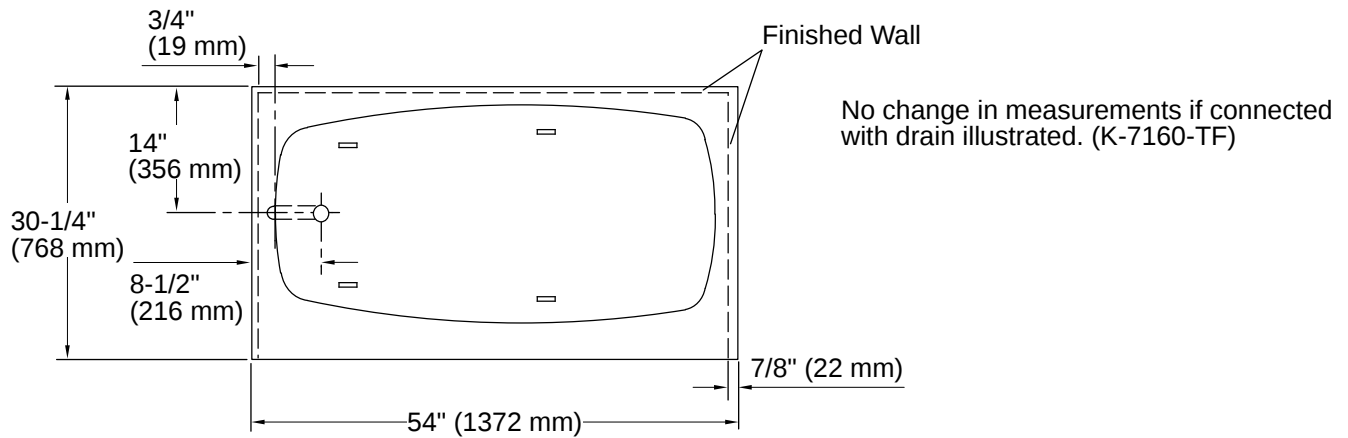
- K-1491 Bath/whirlpool pillow, removable
- K-1601 Bath/whirlpool footstop, removable
- K-23726 Drain treatment
- K-7214 Cable bath drain, less PVC tubing
- K-23725 Cast iron cleaner

## Warranty

*See website for detailed warranty information.*

KOHLER® Enameled Cast Iron Bath and Shower Base Lifetime Limited Warranty





## Installation

- Left drain
- Alcove

## Installation Notes

*Install this product according to the installation instructions.*

Measure your actual product for rough-in details.

The hot water supply should be 70% of the capacity of the bath or greater. Installations will vary.

ADA compliant when installed to the specific requirements of these regulations.

