



Lynk® | K-75890

Flush actuator plate for 2"x 4" in-wall tank and carrier system

Features

- For use with K-28829 in-wall tank and carrier system
- Dual-flush actuator offers a choice of 0.8 or 1.6 gpf (3.0 or 6.0 lpf)
- Large flush actuator plate opening can be removed for easy access to inner tank
- Eligible for consumer rebates in some municipalities



Available Colors/Finishes

Color tiles intended for reference only.

- CP Polished Chrome
- AF Vibrant French Gold
- BN Vibrant Brushed Nickel
- 0 White
- 7 Black Black



1-800-4KOHLER (1-800-456-4537)
Kohler Co. reserves the right to make revisions without notice to product specifications.
For the most current specification sheet, go to www.kohler.com USA or www.kohler.ca Canada.
3-27-2026 16:41 - US-CA

THE BOLD LOOK
OF **KOHLER**

Codes/Standards

None Applicable

Recommended Products/Accessories

K-23723 Faucet cleaner

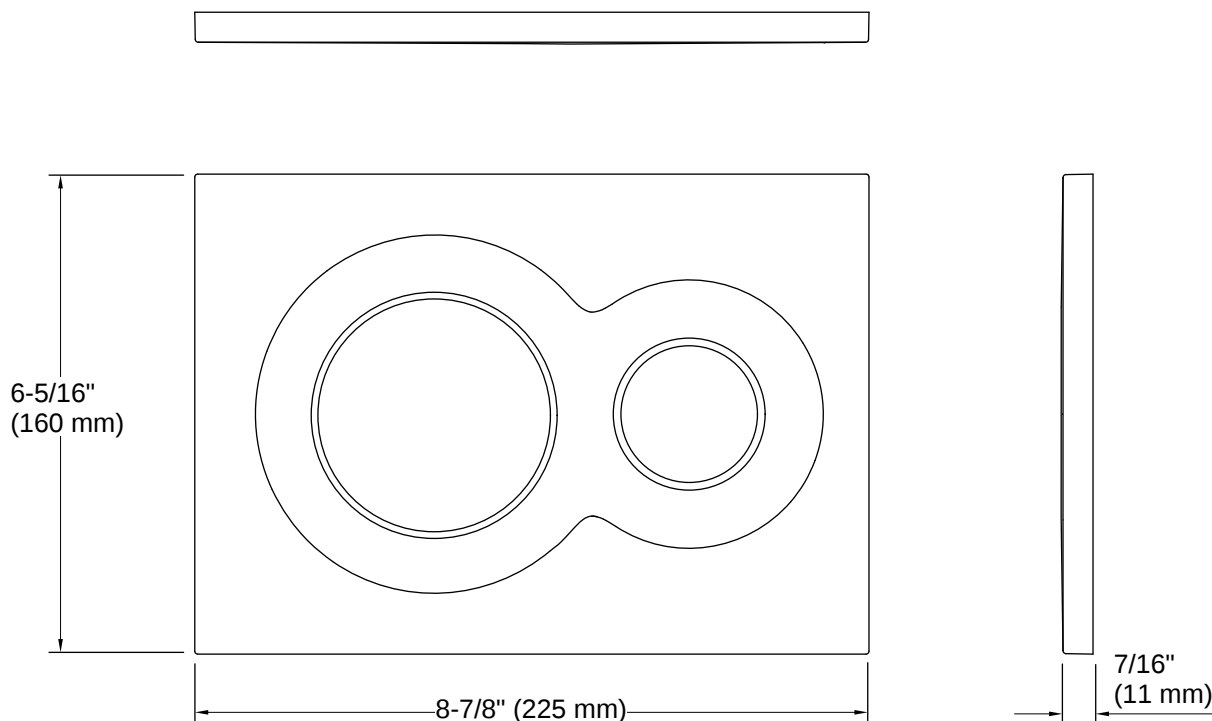
K-28829 In-wall tank and carrier system

Warranty

See website for detailed warranty information.

KOHLER® Toilets and Seats Limited Warranty





Installation

- See installation guide for more detailed information

Installation Notes

Install this product according to the installation instructions.

