



Bellwether® | K-837

60" x 30-1/4" alcove bath, left drain

Features

- Clean lines and streamlined style add contemporary appeal to any bathroom
- 14" apron height for easy entry and exit
- Standard size simplifies installation in remodels
- Integral flange helps prevent water from seeping behind wall and simplifies alcove installation
- Safeguard® slip-resistant surface provides excellent traction underfoot
- Wide ledges for extra storage space
- Integral apron
- Integral lumbar support



Sustainability



Available Colors/Finishes

Color tiles intended for reference only.

- 0 White
- 96 Biscuit
- 17 Teal
- 34 Fresh Green
- 42 Aspen Green



1-800-4KOHLER (1-800-456-4537)
Kohler Co. reserves the right to make revisions without notice to product specifications.
For the most current specification sheet, go to www.kohler.com USA or www.kohler.ca Canada.
3-27-2026 17:15 - US-CA

THE BOLD LOOK
OF **KOHLER**

Codes/Standards

ADA compliant when installed to the specific requirements of these regulations.



ASME A112.19.1/CSA B45.2
ASTM F462
ADA
ICC/ANSI A117.1

Warranty

See website for detailed warranty information.

KOHLER® Enameled Cast Iron Bath and Shower Base Lifetime Limited Warranty

Technical Information

All product dimensions are nominal.

Drain Location:	Left
Drain Hole Diameter:	2-3/16" (56 mm)
Minimum Flat for Door:	2-11/16" (69 mm)
Basin Area, Bottom:	48-3/4" x 19-5/16" (1238 mm x 491 mm)
Basin Area, Top:	54-11/16" x 21-3/16" (1389 mm x 538 mm)
Water Depth:	9" (229 mm)
Water Capacity:	32.6 gal (123.4 L)
Minimum Floor Load:	52 lbs/ft ²
Weight:	310 lbs (140.6 kg)

Material

- KOHLER® enameled cast iron

Recommended Products/Accessories

K-23726 Drain treatment

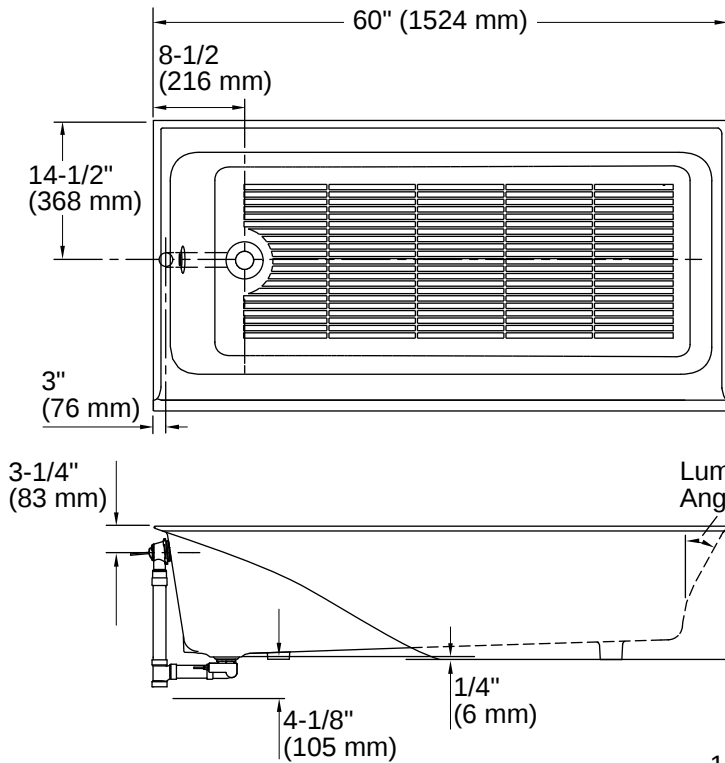
K-702200-6L 58" H sliding bath door with 1/4"-thick glass

K-23725 Cast iron cleaner

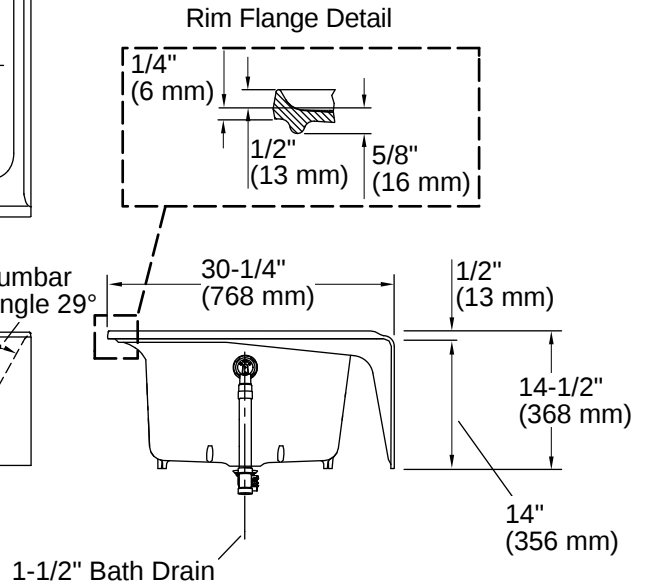
K-706000-L 62" H sliding bath door with 1/4"-thick glass

K-706004-L Sliding bath door, 62" H x 56-5/8" - 59-5/8" W, with 1/4" thick Crystal Clear glass





No change in measurement if connected with drain illustrated. (K-37383)



Installation

- Left drain
- Alcove
- Left drain

Installation Notes

Install this product according to the installation instructions.

Measure your actual product for rough-in details.

The hot water supply should be 70% of the capacity of the bath or greater. Installations will vary.

ADA compliant when installed to the specific requirements of these regulations.

