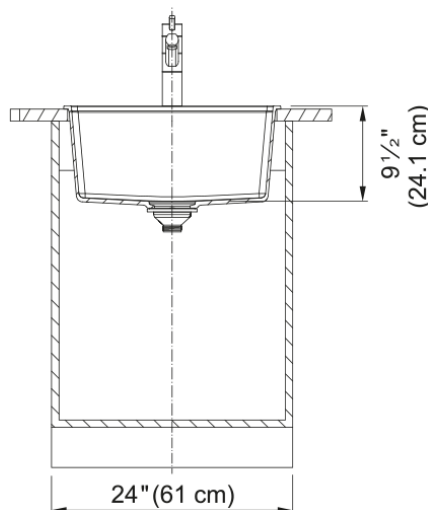


Maris Dual Mount Sink - MAG61020-CHA-S | 114.0710.383



21.63-in. x 20.88-in. Dual Mount Fraganite Single Bowl Kitchen Sink in Champagne. Maris sinks are equipped with deep capacity bowls that can easily fit baking trays, pots, and pans to be washed with maximum ease. With our easy-to-use integrated ledge system, you'll accomplish more with your sink while making the most of your surrounding counter space. The rear drain maximizes the usable surface of the bowl and creates extra cabinet space beneath the sink. Maris Fraganite sinks are scratch-resistant, fade-resistant, and impact resistant and will retain their new appearance for years. Sink strainer assembly included.

Aspect

Sink type	Sink
Type of material	Fraganite
Number of bowls	1
Product color	Champagne
Surface finish	None

Product Dimensions

Length (right to left)	21.614
Width (front to back)	20.866
Large bowl size: right to left	20.079
Large bowl size: front to back	20.866
Large bowl: depth	9.488

Installation

Minimum cabinet size	24"
----------------------	-----

Product specifications

Installation type	Topmount / drop in
Installation type	Undermount
Drain hole	3 1/2"
Position of drainer	No drainer
Active Twist Compatibility	No
Installation device	Fast-Fix Clips

Product identification

Brand	FRANKE
Collection	Maris
Certified by	IAPMO

Features

Drainers number	No drainer
Product reversibility	No
Faucet ledge	Yes
Strainer assembly included	Yes
Strainer Assembly	Manual
Overflow	No
Number of faucet holes	4 - pre-scored
Soap dispenser hole	No