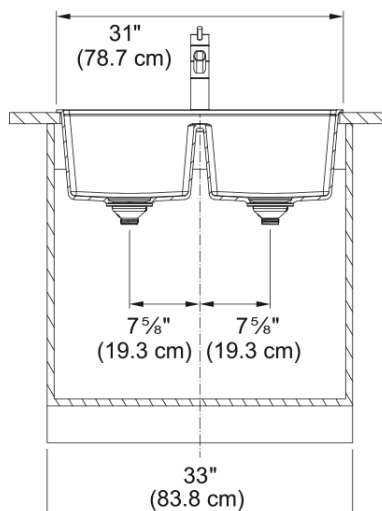


Maris Dual Mount Sink - MAG6201414-SLG-S | 114.0713.093



31.0-in. x 20.88-in. Dual Mount Fraganite Double Bowl Kitchen Sink in Slate Grey. Maris sinks are equipped with deep capacity bowls that can easily fit baking trays, pots, and pans to be washed with maximum ease. With our easy-to-use integrated ledge system, you'll accomplish more with your sink while making the most of your surrounding counter space. The rear drain maximizes the usable surface of the bowl and creates extra cabinet space beneath the sink. Maris Fraganite sinks are scratch-resistant, fade-resistant, and impact resistant and will retain their new appearance for years. Sink strainer assembly included.

Aspect

Sink type	Sink
Type of material	Fragranite
Number of bowls	2
Product color	Slate grey
Surface finish	None

Product Dimensions

Length (right to left)	31
Width (front to back)	20.874
Large bowl size: right to left	14.252
Large bowl size: front to back	15.606
Large bowl: depth	9.492
Small bowl size: right to left	14.252
Small bowl size: front to back	15.606
Small bowl: depth	9.492

Installation

Minimum cabinet size	33"
----------------------	-----

Product specifications

Installation type	Topmount / drop in
Installation type	Undermount
Drain hole	3 1/2"
Position of drainer	No drainer
Active Twist Compatibility	No
Installation device	Fast-Fix Clips

Product identification

Brand	FRANKE
-------	--------

Collection	Maris
Certified by	IAPMO
Features	
Drainers number	No drainer
Product reversibility	No
Faucet ledge	Yes
Strainer assembly included	Yes
Strainer Assembly	Manual
Overflow	No
Number of faucet holes	7 - pre-scored
Soap dispenser hole	No