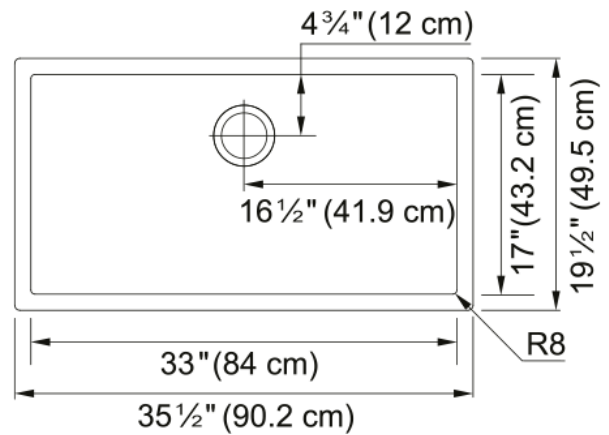
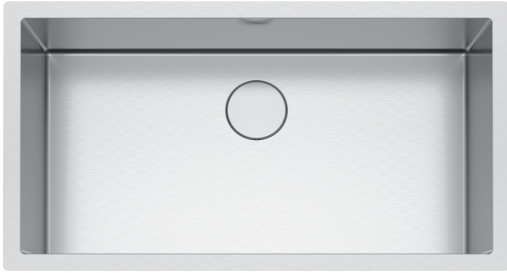


Professional 2.0 Sink - PS2X110-33-CA | 122.0528.602



35.5-in. x 19.5-in. 16 Gauge Stainless Steel Undermount Single Bowl Kitchen Sink. The Professional sink collection boasts refined touches for the home chef. Deep bowls are undermounted with a 0.5-in reveal so that custom-fit accessories can work within the sink to create a seamless workflow while prepping meals. Made of 16-gauge commercial- grade stainless steel with a beautiful Diamond finish that takes minimal care to maintain a clean, attractive look. The removable drain cover was designed to sit flush over the drain to keep glassware from tipping over and to maximize the usable bottom surface of the bowl. Bottom Grid, Strainer Assembly and Drain Cover included.

Aspect

Sink type	Sink
Type of material	Stainless steel
Number of bowls	1
Product color	Steel
Surface finish	Diamond

Product Dimensions

Length (right to left)	35.433
Width (front to back)	19.488
Large bowl size: right to left	33
Large bowl size: front to back	17
Large bowl: depth	9.764

Installation

Minimum cabinet size	36"
----------------------	-----

Product specifications

Installation type	Undermount
Drain hole	3 1/2"
Position of drainer	No drainer

Product identification

Product brand	FRANKE
Collection	Professional Series
Certified by	IAPMO

Features

Drainers number	No drainer
Product reversibility	No

Faucet ledge	No
Strainer assembly included	Yes
Strainer Assembly	Manual
Overflow	No
Number of faucet holes	No faucet hole
Soap dispenser hole	No