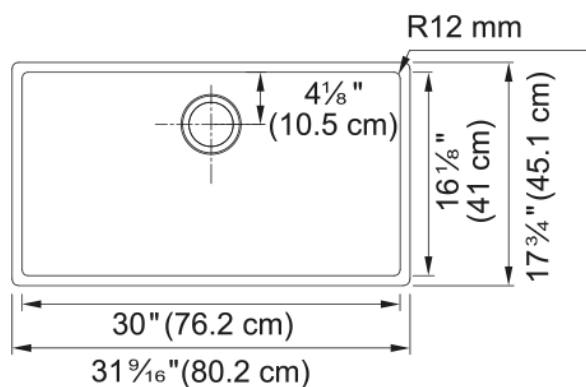
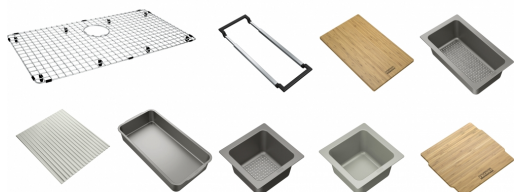


Cube Workcenter Sink - CUX11030-WKC | 122.0672.231



Franke Cube Workcenter 31.5-in. x 17.7-in. 18 Gauge Stainless Steel Undermount Single Bowl Kitchen Sink The Cube ALL-IN workcenter supports your entire food preparation creating a modular, innovative, and design-oriented workstation. Well-equipped and intuitive, this modular workcenter sink has everything you need to quickly prepare meals, saving you time and space while allowing you to shift seamlessly between tasks. ACCESSORIES INCLUDED: All-In Accessory System AIUS300, Bottom Sink Grid, Strainer Basket

Aspect

Sink type	Sink
Type of material	Stainless steel
Number of bowls	1
Product color	Steel
Surface finish	Pearl

Product Dimensions

Length (right to left)	31.496
Width (front to back)	17.756
Large bowl size: right to left	30
Large bowl size: front to back	16.142
Large bowl: depth	9.016

Installation

Minimum cabinet size	36"
----------------------	-----

Product specifications

Installation type	Undermount
Drain hole	3 1/2"
Position of drainer	No drainer
Bowl 1: accessory ledge	no
Active Twist Compatibility	No

Product identification

Brand	FRANKE
Product family	Maris
Collection	Cube
Certified by	IAPMO

Features

Drainers number	No drainer
-----------------	------------

Product reversibility	No
Faucet ledge	No
Strainer assembly included	Yes
Strainer Assembly	Manual
Overflow	No
Number of faucet holes	No faucet hole
Soap dispenser hole	No